

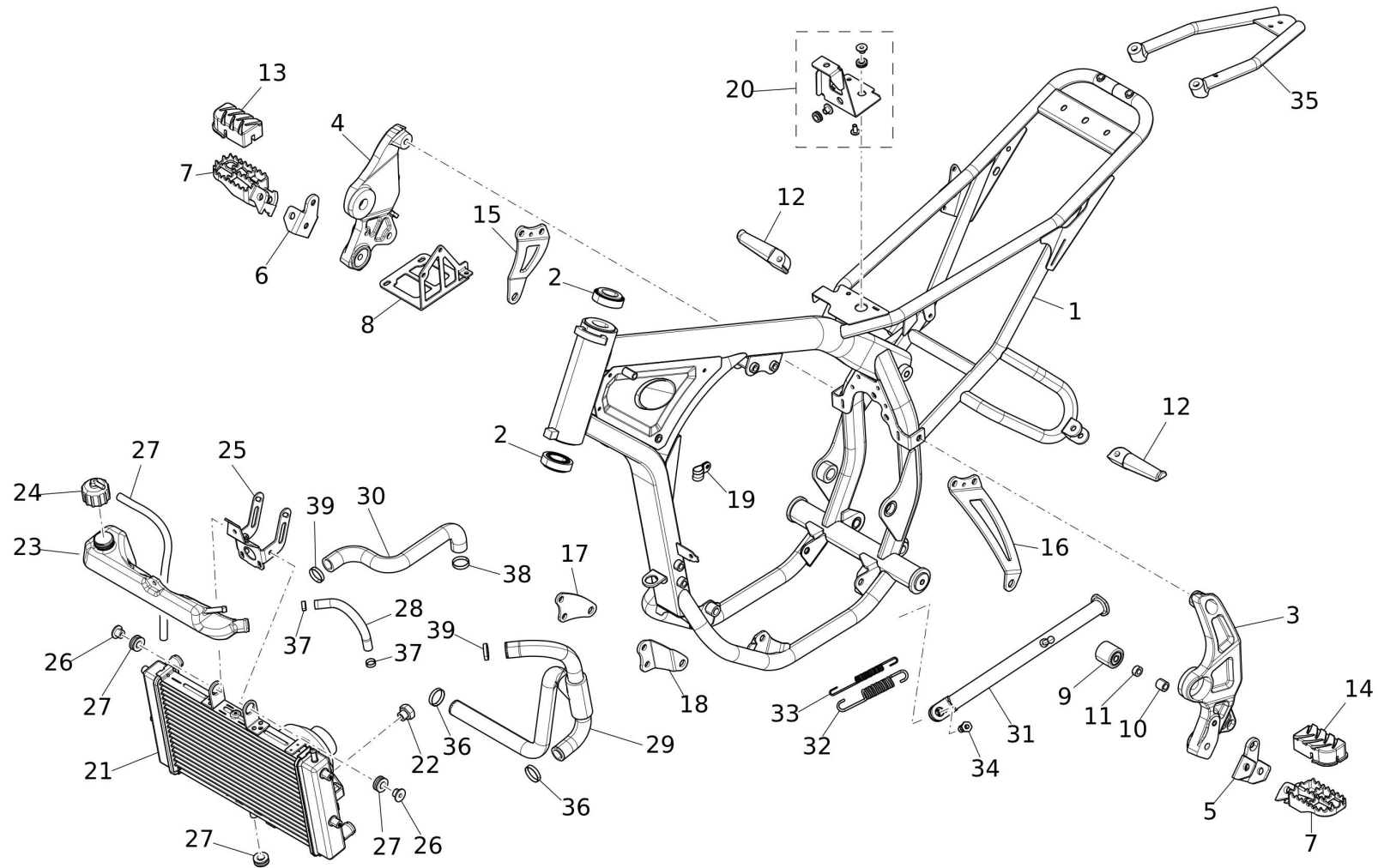


Ersatzteilkatalog  
**CABALLERO 500**

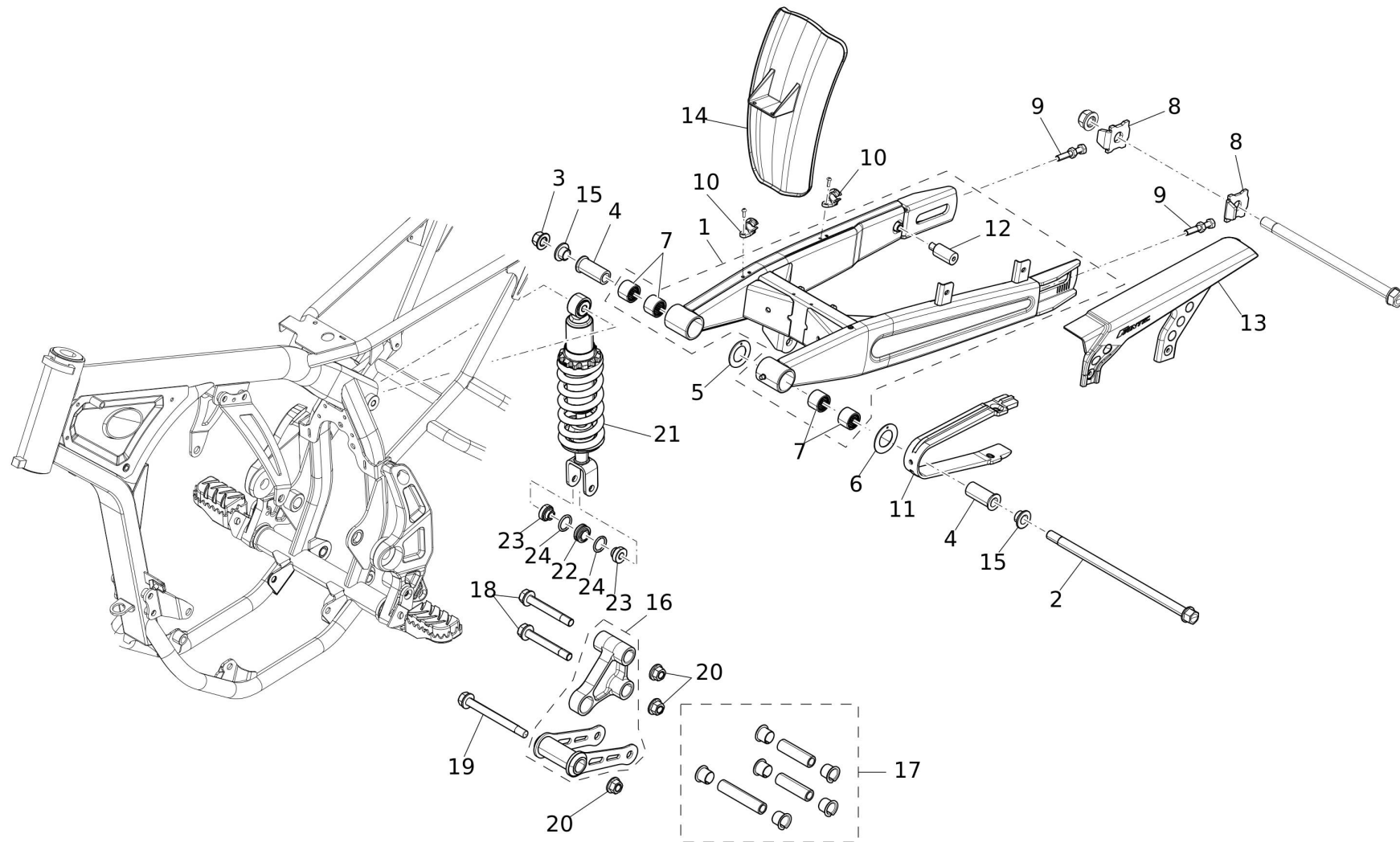
# Inhaltsverzeichnis

|   |    |
|---|----|
| 1 - Rahmen (CABALLERO 500 SCRAMBLER) .....                | 4  |
| 2 - Schwinge (CABALLERO 500 SCRAMBLER) .....              | 6  |
| 3 - Gabel (CABALLERO 500 SCRAMBLER) .....                 | 8  |
| 4 - Vorderrad (CABALLERO 500 SCRAMBLER) .....             | 10 |
| 5 - Hinterrad (CABALLERO 500 SCRAMBLER) .....             | 12 |
| 6 - Auspuff / Einlass (CABALLERO 500 SCRAMBLER) .....     | 14 |
| 7 - Tank / Kunststoffteil (CABALLERO 500 SCRAMBLER) ..... | 16 |
| 8 - Bedienelement (CABALLERO 500 SCRAMBLER) .....         | 19 |
| 9 - Kabelbaum (CABALLERO 500 SCRAMBLER) .....             | 21 |
| 10 - Motor (CABALLERO 500 SCRAMBLER) .....                | 23 |
| 11 - Motor (CABALLERO 500 SCRAMBLER) .....                | 25 |
| 12 - Motor (CABALLERO 500 SCRAMBLER) .....                | 27 |
| 13 - Motor (CABALLERO 500 SCRAMBLER) .....                | 29 |
| 14 - Motor (CABALLERO 500 SCRAMBLER) .....                | 31 |
| 15A - Motor (CABALLERO 500 SCRAMBLER) .....               | 33 |
| 15B - Motor (CABALLERO 500 SCRAMBLER) .....               | 35 |
| 16 - Motor (CABALLERO 500 SCRAMBLER) .....                | 37 |
| 17 - Motor (CABALLERO 500 SCRAMBLER) .....                | 39 |
| 18 - Motor (CABALLERO 500 SCRAMBLER) .....                | 41 |
| 19 - Motor (CABALLERO 500 SCRAMBLER) .....                | 43 |
| 20A - Motor (CABALLERO 500 SCRAMBLER) .....               | 45 |
| 20B - Motor (CABALLERO 500 SCRAMBLER) .....               | 47 |
| 21 - Motor (CABALLERO 500 SCRAMBLER) .....                | 49 |
| 22 - Motor (CABALLERO 500 SCRAMBLER) .....                | 51 |
| 23 - Motor (CABALLERO 500 SCRAMBLER) .....                | 53 |
| 1 - Rahmen (CABALLERO 500 FLAT TRACK) .....               | 55 |
| 2 - Schwinge (CABALLERO 500 FLAT TRACK) .....             | 57 |
| 3 - Gabel (CABALLERO 500 FLAT TRACK) .....                | 59 |
| 4 - Vorderrad (CABALLERO 500 FLAT TRACK) .....            | 61 |
| 5 - Hinterrad (CABALLERO 500 FLAT TRACK) .....            | 63 |

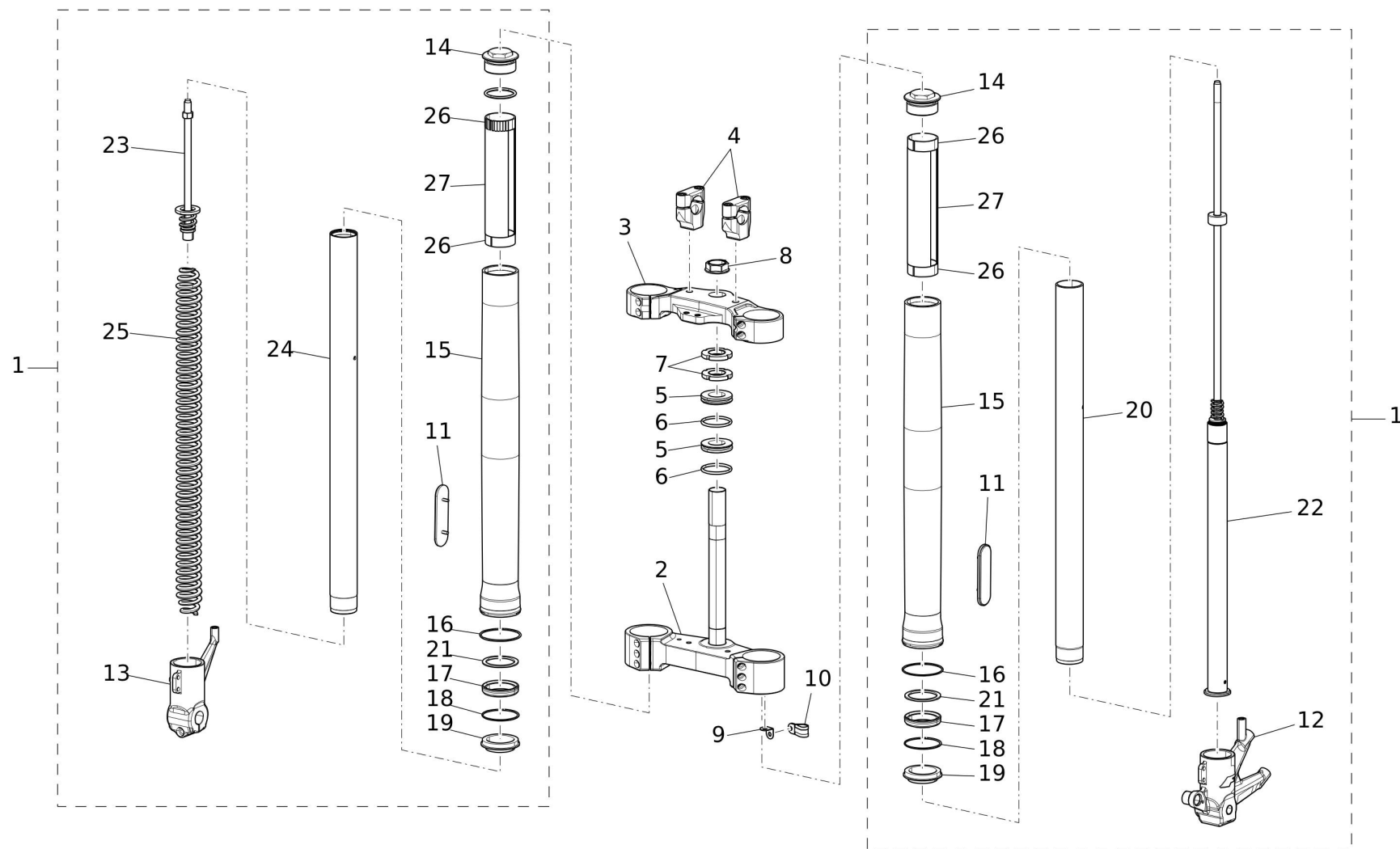
|   |     |
|---|-----|
| <b>6 - Auspuff / Einlass (CABALLERO 500 FLAT TRACK)</b> .....     | 65  |
| <b>7 - Tank / Kunststoffteil (CABALLERO 500 FLAT TRACK)</b> ..... | 67  |
| <b>8 - Bedienelement (CABALLERO 500 FLAT TRACK)</b> .....         | 70  |
| <b>9 - Kabelbaum (CABALLERO 500 FLAT TRACK)</b> .....             | 72  |
| <b>10 - Motor (CABALLERO 500 FLAT TRACK)</b> .....                | 74  |
| <b>11 - Motor (CABALLERO 500 FLAT TRACK)</b> .....                | 76  |
| <b>12 - Motor (CABALLERO 500 FLAT TRACK)</b> .....                | 78  |
| <b>13 - Motor (CABALLERO 500 FLAT TRACK)</b> .....                | 80  |
| <b>15 - Motor (CABALLERO 500 FLAT TRACK)</b> .....                | 82  |
| <b>15A - Motor (CABALLERO 500 FLAT TRACK)</b> .....               | 84  |
| <b>15B - Motor (CABALLERO 500 FLAT TRACK)</b> .....               | 86  |
| <b>16 - Motor (CABALLERO 500 FLAT TRACK)</b> .....                | 88  |
| <b>17 - Motor (CABALLERO 500 FLAT TRACK)</b> .....                | 90  |
| <b>18 - Motor (CABALLERO 500 FLAT TRACK)</b> .....                | 92  |
| <b>19 - Motor (CABALLERO 500 FLAT TRACK)</b> .....                | 94  |
| <b>20A - Motor (CABALLERO 500 FLAT TRACK)</b> .....               | 96  |
| <b>20B - Motor (CABALLERO 500 FLAT TRACK)</b> .....               | 98  |
| <b>21 - Motor (CABALLERO 500 FLAT TRACK)</b> .....                | 100 |
| <b>22 - Motor (CABALLERO 500 FLAT TRACK)</b> .....                | 102 |
| <b>23 - Motor (CABALLERO 500 FLAT TRACK)</b> .....                | 104 |



| #  | Code     | Beschreibung                            | Spezifikation | ME | Anz. |
|----|----------|---|---------------|----|------|
| 1  | 05268020 | TELAIO CABALLERO FC450SC PREPARATO      |               | pz | 1    |
| 2  | 00247005 | LENKKOPFLAGER                           |               | pz | 2    |
| 3  | 04529005 | LH LATERAL ALU PLATE CAB                |               | pz | 1    |
| 4  | 04530005 | RH LATERAL ALU PLATE CAB                |               | pz | 1    |
| 5  | 04566005 | LH FOOTREST SUPPORT BRACKET CAB         |               | pz | 1    |
| 6  | 04567005 | RH FOOTREST SUPPORT BRACKET CAB         |               | pz | 1    |
| 7  | 04224020 | FUSSRASTEN SATZ                         |               | pz | 1    |
| 8  | 05088005 | STAFFA REGOLATORE CAB 450               |               | pz | 1    |
| 9  | 00026005 | BLACK CHAIN TURNING WHEEL               |               | pz | 1    |
| 10 | 04554005 | SWITCH SPACER CAB                       |               | pz | 1    |
| 11 | 00225005 | AIS VALVE SPACER                        |               | pz | 1    |
| 12 | 00993005 | SOZIUSRASTEN                            |               | pz | 1    |
| 13 | 04574005 | GOMMA PEDANA PILOTA DX CAB              |               | pz | 1    |
| 14 | 04575005 | GOMMA PEDANA PILOTA SX CAB              |               | pz | 1    |
| 15 | 04619005 | PIASTRA DX ATT.TESTA MOTORE CAB FC-450  |               | pz | 1    |
| 16 | 04620005 | PIASTRA SX ATT.TESTA MOTORE CAB FC-450  |               | pz | 1    |
| 17 | 04621005 | PIASTRA DX ATT.FRONT. MOTORE CAB FC-450 |               | pz | 1    |
| 18 | 04622005 | PIASTRA SX ATT.FRONT. MOTORE CAB FC-450 |               | pz | 1    |
| 19 | 00324005 | FRONT BRAKE RUBBER TUBE CABLE GLAND M6  |               | pz | 3    |
| 20 | 05252020 | KIT STAFFA SUPPORTO CENTRALINA ABS      |               | pz | 1    |
| 21 | 04565005 | RADIATOR CAB                            |               | pz | 1    |
| 22 | 04665005 | CAP M14 RADIATOR CAB + WASHER           |               | pz | 1    |
| 23 | 04386005 | EXPANSION VESSEL CAB                    |               | pz | 1    |
| 24 | 04387005 | EXPANSION VESSEL CAP CAB                |               | pz | 1    |
| 25 | 04550005 | EXPANSION VESSEL BRACKET CAP            |               | pz | 1    |
| 26 | 00767005 | RADIATOR SUPPORTS SPACER 50cc           |               | pz | 2    |
| 27 | 00834005 | GROMMET FOR RADIATOR SUPPORTS SPACER    |               | pz | 3    |
| 28 | 04082005 | PIPE ROLLER BLACK                       |               | cm | 1    |
| 29 | 05150005 | MANICOTTO GIUNTO T RADIAT CAB 450       |               | pz | 1    |
| 30 | 04952005 | TUBO RAFFR. MOTORE RADIATORE FC450      |               | pz | 1    |
| 31 | 04596005 | SIDE STAND CAB SC+FT                    |               | pz | 1    |
| 32 | 04650005 | EXTERNAL KICKSTAND SPRING CAB           |               | pz | 1    |
| 33 | 04651005 | INTERNAL KICKSTAND SPRING CAB           |               | pz | 1    |
| 34 | 04635005 | KICKSTAND SCREW CAB                     |               | pz | 1    |
| 35 | 04681005 | LICENSE PLATE HOLDER FRAME CAB          |               | pz | 1    |
| 36 | 00274005 | CLAMP RADIATOR CLIC R250                |               | pz | 2    |
| 37 | 01689005 | CLICR 96-120 CLAMP FOR RADIATOR         |               | pz | 2    |
| 38 | 01583005 | CLAMP WATER PUMP                        |               | pz | 1    |
| 39 | 04891005 | CLICR COBRA 230 CLAMP                   |               | pz | 2    |

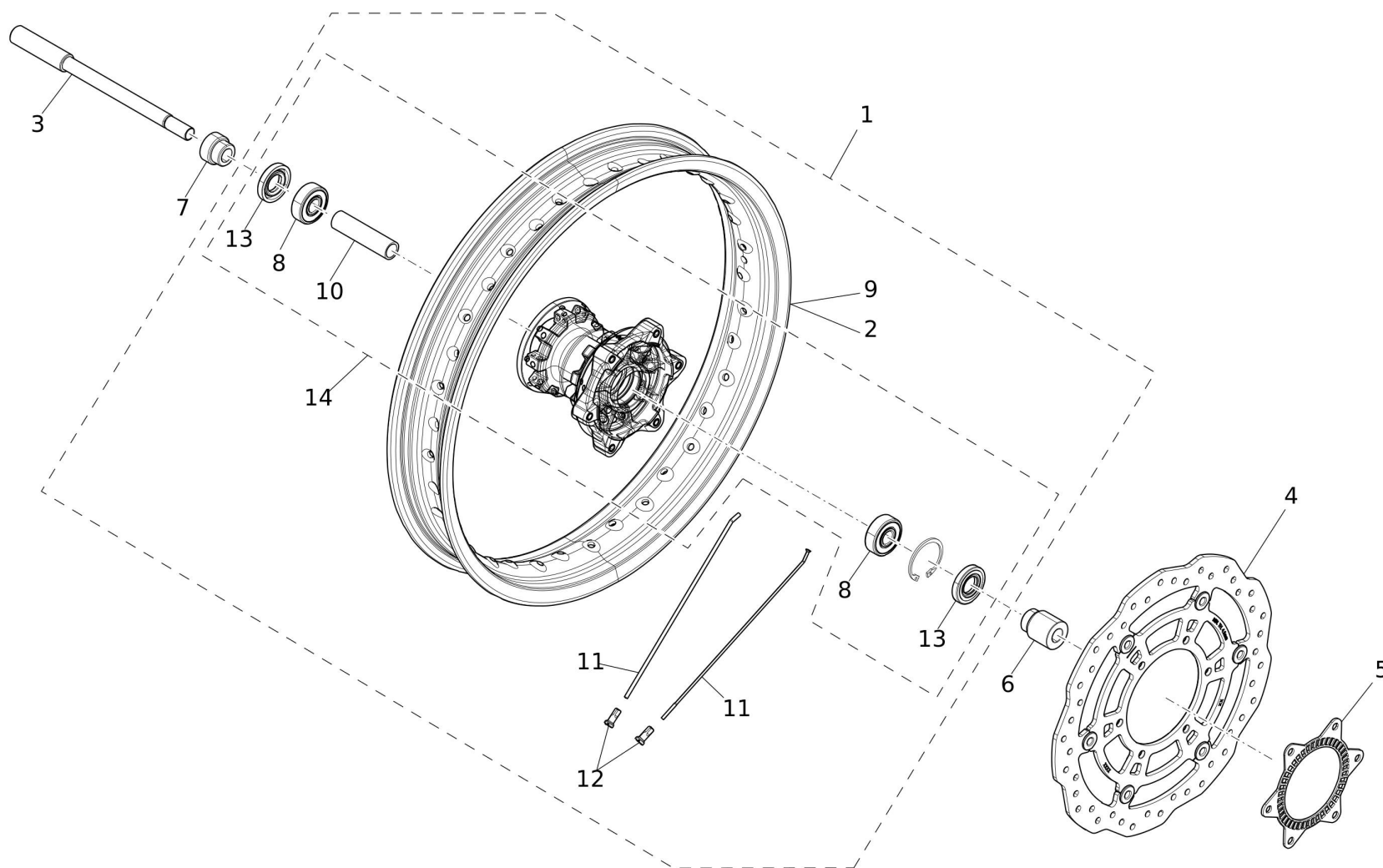


| #  | Code     | Beschreibung                             | Spezifikation | ME | Anz. |
|----|----------|--|---------------|----|------|
| 1  | 05272020 | FORCELLONE ACCIAIO FC 450 PREPARATO      |               | pz | 1    |
| 2  | 04513005 | PERNO FORCELLONE D17 CAB450              |               | pz | 1    |
| 3  | 04626005 | BLADE NUT M16X1.5 SELF-LOCKING ZB        |               | pz | 1    |
| 4  | 04406005 | BOCCOLA CUSCINETTO FORCELLONE CAB D17    |               | pz | 2    |
| 5  | 04663005 | THRUST FIFTH-WHEEL D26 TW24M             |               | pz | 1    |
| 6  | 05142005 | RALLA REGGISPINTA D28 TW24M              |               | pz | 1    |
| 7  | 04561005 | CUSCINETTO FORC. CAB HK-2520-2RS         |               | pz | 4    |
| 8  | 04453005 | CHAIN ??TENSIONER CAB 125 MY18 STEEL     | Motard        | pz | 2    |
| 9  | 04634005 | CHAIN ??ADJUSTMENT NUT                   |               | pz | 2    |
| 10 | 00124005 | BLACK CABLE GLAND FOR REAR BRAKE TUBE    |               | pz | 2    |
| 11 | 04379005 | BLACK CHAIN SLIDER CAB                   |               | pz | 1    |
| 12 | 04419005 | SWINGARM POW FASTENER CAB                |               | pz | 1    |
| 13 | 04398005 | CHAIN ??GUARD CAB                        |               | pz | 1    |
| 14 | 04378005 | REAR FLAP GUARD CAB                      |               | pz | 1    |
| 15 | 04523005 | LATERAL PLATE BUSHING D14 CAB            |               | pz | 2    |
| 16 | 05273020 | KIT LEVERAGGIO CAB                       |               | pz | 1    |
| 17 | 04982020 | CONNECTING ROD ASSEMBLY OVERHAUL KIT CAB |               | pz | 2    |
| 18 | 04628005 | CONNECTING ROD ASSEMBLY PIN CAB M12 L88  |               | pz | 2    |
| 19 | 04630005 | CONNECTING ROD ASSEMBLY PIN CAB M12 L121 |               | pz | 1    |
| 20 | 01390005 | GEFLANSCHTE MUTTER                       |               | pz | 3    |
| 21 | 04563005 | CABALLERO FC 125 SHOCK ABSORBER          |               | pz | 1    |
| 22 | 04813005 | UNIBALL GE-15-ES SHOCK ABSORBER CAB      |               | pz | 1    |
| 23 | 04512005 | UNIBALL SHOCK ABSORBER SPACER CAB        |               | pz | 2    |
| 24 | 04645005 | SHOCK ABSORBER OR RING CAB               |               | pz | 2    |

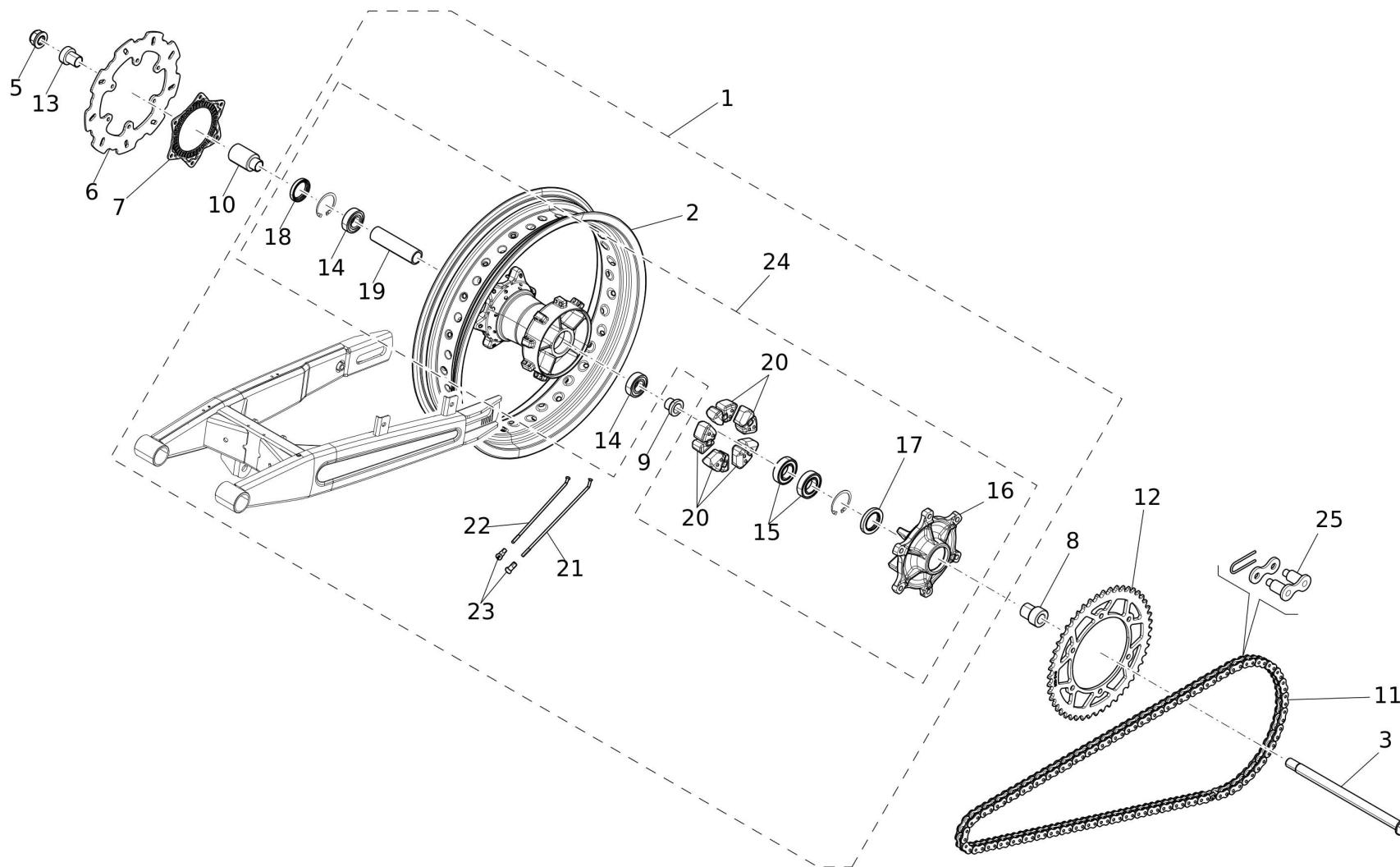




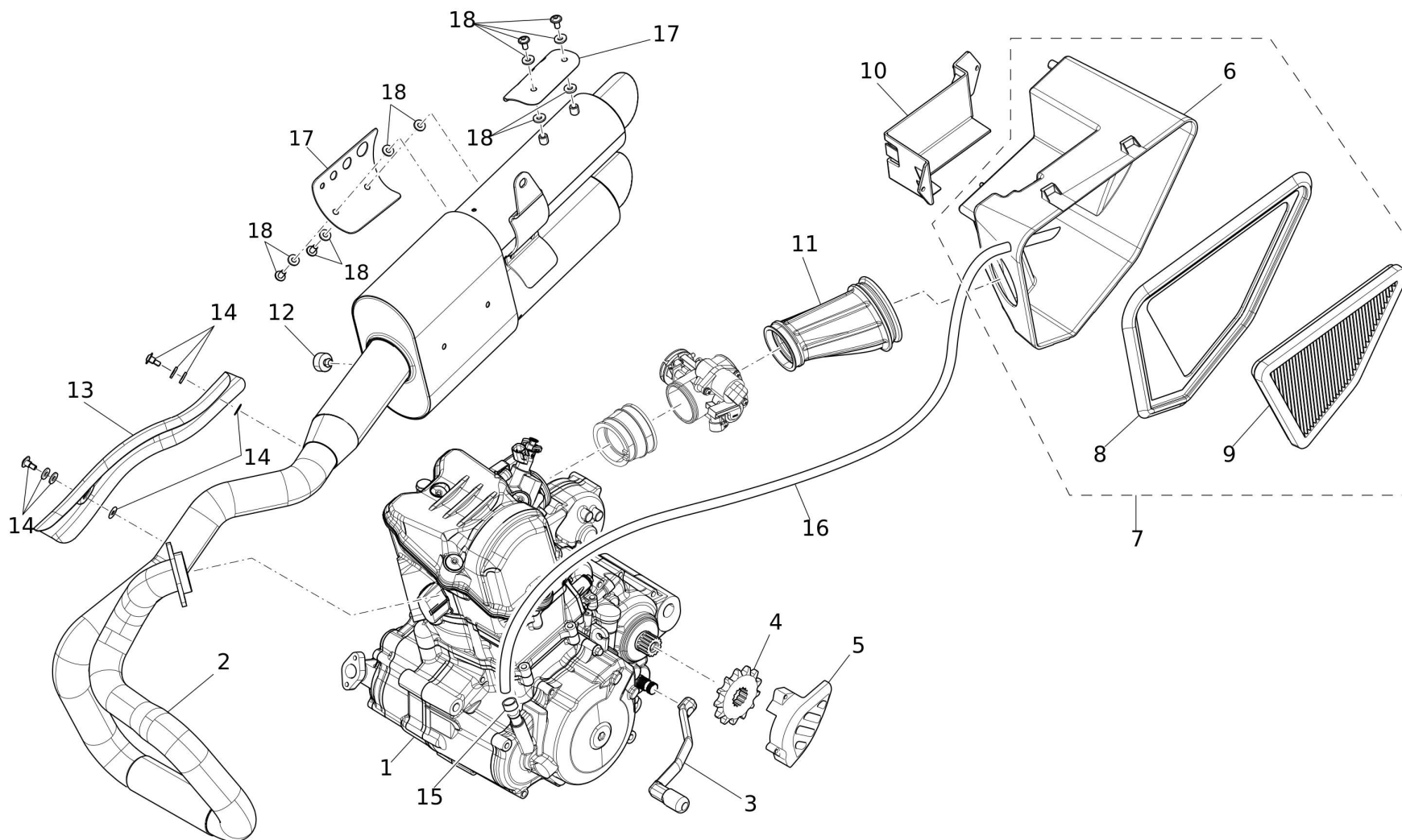
| #  | Code        | Beschreibung                             | Spezifikation | ME | Anz. |
|----|-------------|--|---------------|----|------|
| 1  | 04568005    | GAMBALI SWINGARM CABALLERO FC RH + SX    |               | pz | 1    |
| 2  | 05117005    | LOWER TRIPLE CLAMP + STEERING PIN CAB    |               | pz | 1    |
| 3  | 05118005    | UPPER TRIPLE CLAMP CAB                   |               | pz | 1    |
| 4  | 04478005    | HANDLEBAR SUPPORT CAB MY18               |               | pz | 2    |
| 5  | 00082005    | SWINGARM PLATE WATER GUARD DISC          |               | pz | 2    |
| 6  | 04866005    | WATER GUARD O-RING D39.7 - S3.53 NBR70   |               | pz | 2    |
| 7  | 00646005    | RING NUT M 25x1                          |               | pz | 2    |
| 8  | 04625005    | STEERING SLEEVE NUT M25X1                |               | pz | 1    |
| 9  | 04829005    | CABLE GLAND BRACKET CAB                  |               | pz | 1    |
| 10 | 00324005    | FRONT BRAKE RUBBER TUBE CABLE GLAND M6   |               | pz | 1    |
| 11 | 04311005    | AMBER CURVED PERFORMANCE REFLECTOR       |               | pz | 2    |
| 12 | 04534005    | LH SWINGARM FOOT CAB                     |               | pz | 1    |
| 13 | 04533005    | RH SWINGARM FOOT CAB                     |               | pz | 1    |
| 14 | F41GRT001   | GABELSTOPFEN OHNE REGULIERUNG SILBER     |               | pz | 2    |
| 15 | F41CEA001O  | SWINGARM LINING D41 CAB. GOLD OLLE       |               | pz | 2    |
| 16 | FPSS004     | SCHUTZRING GABEL                         |               | pz | 2    |
| 17 | F41PO001    | SIMMERRING D41 NOK                       |               | pz | 2    |
| 18 | FPSS002     | SEEGERRING DFIL 1,8                      |               | pz | 2    |
| 19 | F41RP001    | STAUBKAPPE                               |               | pz | 2    |
| 20 | F41CEB003C  | HYDRAULIC SIDE ROD SWINGARM D41 CAB OLLE |               | pz | 1    |
| 21 | FPSV004     | WASHER DU D43x53X2                       |               | pz | 2    |
| 22 | F41GRH009   | HYDRAULIC CARTRIDGE SWINGARM D41 OLLE CA |               | pz | 1    |
| 23 | F41GRE004   | SIDE ROD SPRING SWINGARM D41 OLLE CAB    |               | pz | 1    |
| 24 | F41GRB002   | STABLE SIDE SWINGARM D41 OLLE CAB        |               | pz | 1    |
| 25 | F41MC005    | SPRING K 1.5 KG / MM CAB                 |               | pz | 1    |
| 26 | FDUIN414515 | BUCHSE 41X45X15                          |               | pz | 4    |
| 27 | F41CIS001   | DISTANZSTUECK                            |               | pz | 2    |



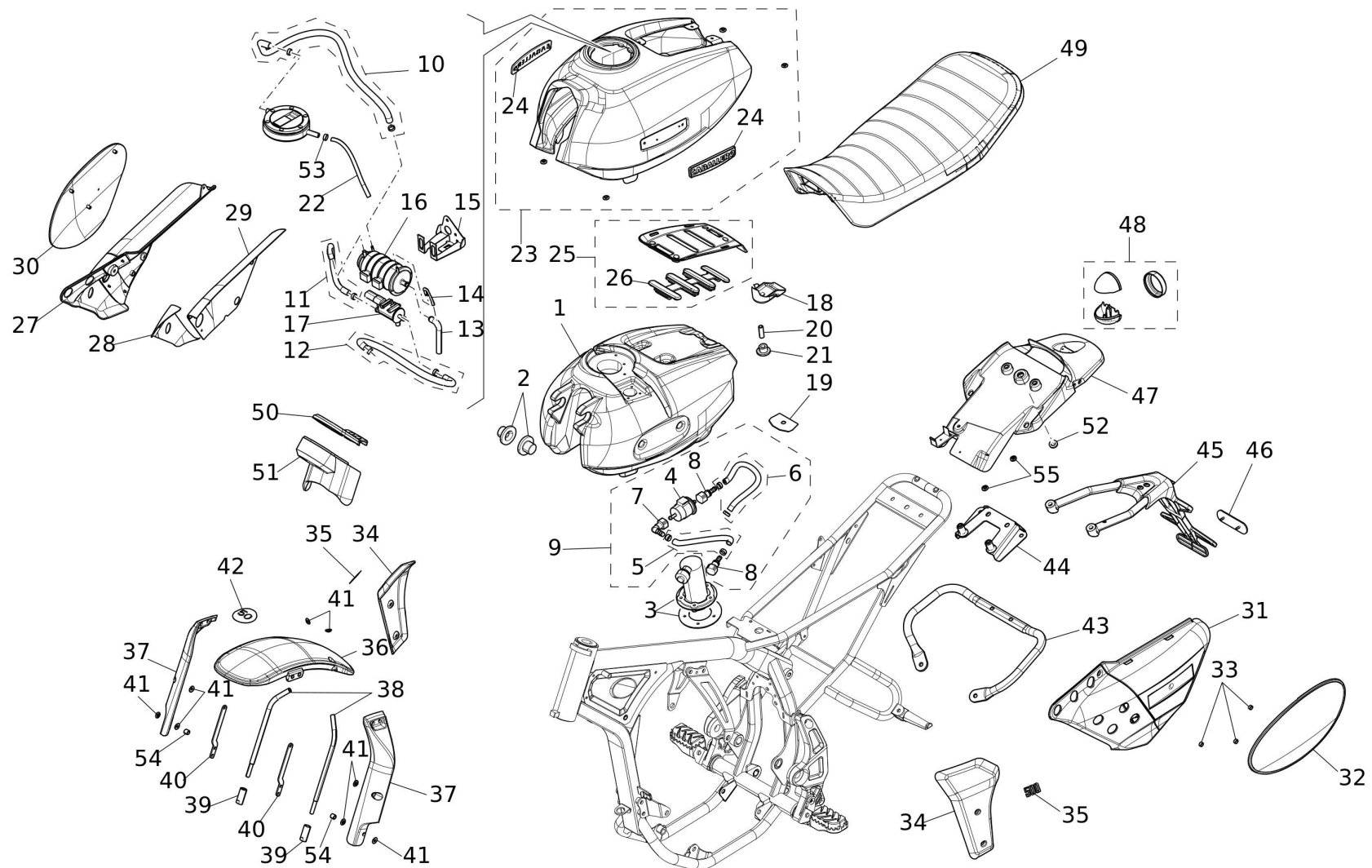
| #  | Code     | Beschreibung                             | Spezifikation | ME | Anz. |
|----|----------|--|---------------|----|------|
| 1  | 04703020 | FRONT SPOKED RIM CAB 450 SC-FT           |               | pz | 1    |
| 2  | 04933005 | FLAP COPRI NIPPLESS R 19 X 22            |               | pz | 1    |
| 3  | 04501005 | FRONT WHEEL HUB PIN CE CAB               |               | pz | 1    |
| 4  | 05126005 | FLOATING FRONT BRAKING DISC 320mm TH 5mm |               | pz | 1    |
| 5  | 04551005 | FRONT FONIC WHEEL CAB                    |               | pz | 1    |
| 6  | 04526005 | *es*DISTANZIALE RUOTA ANT SX CAB450      |               | pz | 1    |
| 7  | 04527005 | *ES*DISTANZIALE RUOTA ANT DX CAB450      |               | pz | 1    |
| 8  | 04434005 | FRONT WHEEL BEARING CAB 450              |               | pz | 2    |
| 9  | 05259005 | UPPER TRIPLE CLAMP MY19                  |               | pz | 1    |
| 10 | 04435005 | FRONT HUB INTERNAL SPACER CAB 450        |               | pz | 1    |
| 11 | 05258005 | UPPER TRIPLE CLAMP CASA MY19             |               | pz | 36   |
| 12 | 04499005 | NIPPLES D. 3,5mm FANTIC - CAB            |               | pz | 36   |
| 13 | 04485005 | FRONT HUB DUST COVER RING FANTIC CE      |               | pz | 2    |
| 14 | 04436020 | COMPLETE FRONT HUB CAB450                |               | pz | 1    |



| #  | Code     | Beschreibung                            | Spezifikation | ME | Anz. |
|----|----------|---|---------------|----|------|
| 1  | 04704020 | REAR SPOKED RIM CAB 450 SC              |               | pz | 1    |
| 2  | 02318005 | FLAP COVER NIPPLESS R 17 X 42           | Motard        | pz | 1    |
| 3  | 04515005 | PERNO RUOTA POST CAB450                 |               | pz | 1    |
| 4  | 04953005 | DISTANZIALE PERNO RUOTA POST PERF MY18  |               | pz | 1    |
| 5  | 04626005 | BLADE NUT M16X1.5 SELF-LOCKING ZB       |               | pz | 1    |
| 6  | 04518005 | REAR DISC BRAKE 230 SP4 CAB 125/250/500 |               | pz | 1    |
| 7  | 04552005 | REAR PHONIC WHEEL CAB                   |               | pz | 1    |
| 8  | 04524005 | DISTANZIALE RUOTA POST SX CAB450        |               | pz | 1    |
| 9  | 04528005 | DISTANZIALE PARASTRAPPI CAB450          |               | pz | 1    |
| 10 | 04525005 | DISTANZIALE RUOTA POST DX CAB450        |               | pz | 1    |
| 11 | 05277005 | CATENA 520 110 MAGLIE SC APERTA         |               | pz | 1    |
| 12 | 05129005 | CORONA 520 Z=48 CAB 450 SC              |               | pz | 1    |
| 13 | 04521005 | BRAKE SPACER SUPPORT BYBRE              |               | pz | 1    |
| 14 | 04424005 | REAR HUB BEARING CAB 450                |               | pz | 2    |
| 15 | 04425005 | REAR DAMPER BEARING CAB                 |               | pz | 2    |
| 16 | 04421005 | REAR WHEEL DAMPER PLATE CAB 450         |               | pz | 1    |
| 17 | 04426005 | REAR WHEEL DUST SEAL 32x47x7 CAB        |               | pz | 1    |
| 18 | 04427005 | REAR WHEEL DUST SEAL 32x42x7 CAB        |               | pz | 1    |
| 19 | 04428005 | REAR HUB INTERNAL SPACER CAB 450        |               | pz | 1    |
| 20 | 04422005 | GOMMA PARASTRAPPI RUOTA POST CAB        |               | pz | 5    |
| 21 | 05274005 | CHAIN SIDE REAR SPOKE CAB 450 SC        |               | pz | 18   |
| 22 | 05275005 | DISC SIDE REAR SPOKE CAB 450 SC         |               | pz | 18   |
| 23 | 05276005 | SPOKE NIPPLE d.4mm CAB 450              |               | pz | 36   |
| 24 | 04432020 | COMPLETE REAR HUB CAB450                |               | pz | 1    |
| 25 | 05330005 | MAGLIA GIUNTO CATENA 520 CAB250-450     |               | pz | 1    |



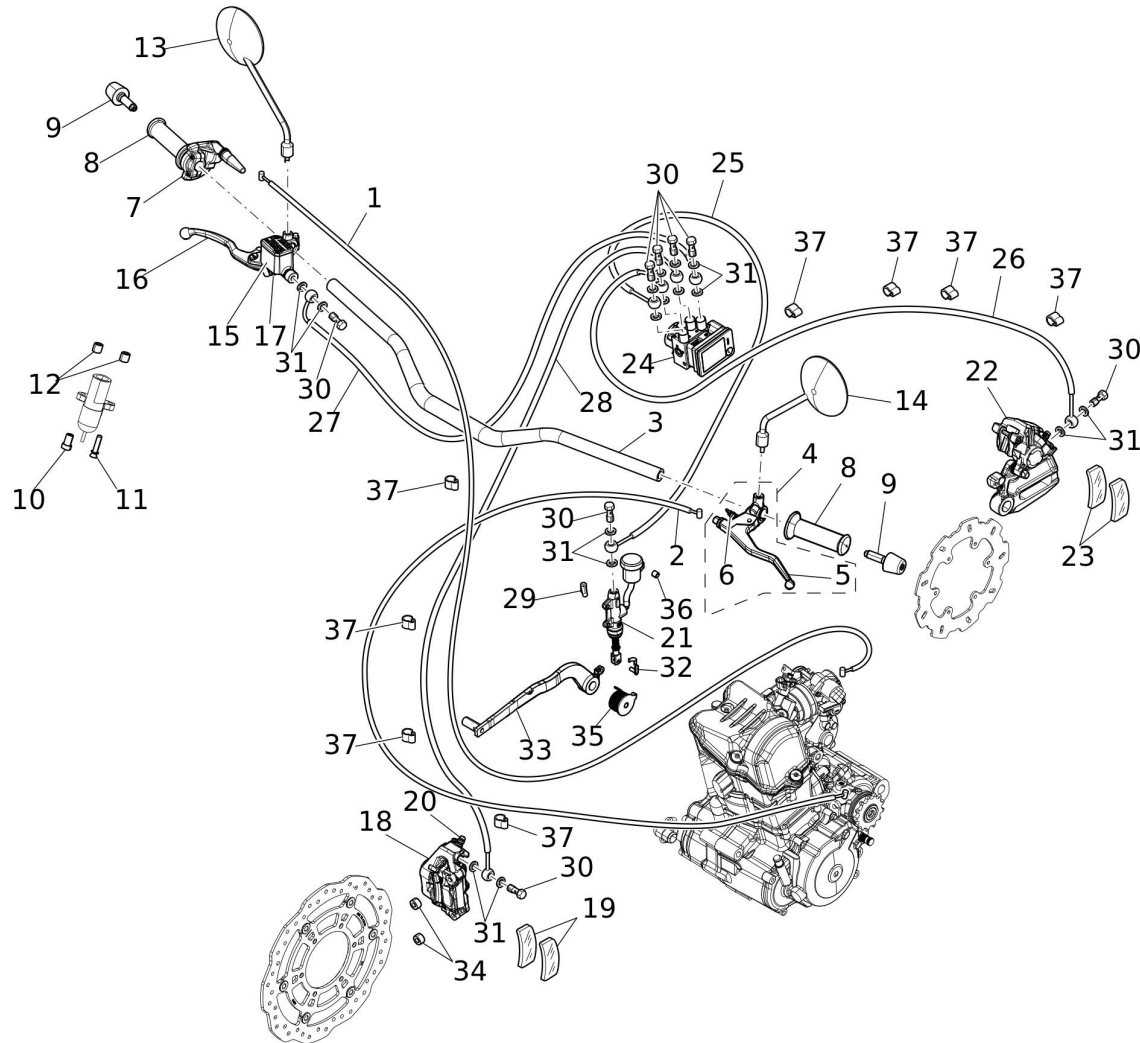
| #  | Code     | Beschreibung                            | Spezifikation | ME | Anz. |
|----|----------|---|---------------|----|------|
| 1  | 04085005 | COMPLETE ENGINE NC450                   |               | pz | 1    |
| 2  | 04834005 | SCARICO COMPLETO FC 450 CAB             |               | pz | 1    |
| 3  | 04836005 | GEAR SHIFT PEDAL CAB 250/450            |               | pz | 1    |
| 4  | 05131005 | PIGNONE SILENZIOSO NC450 Z=13           |               | pz | 1    |
| 5  | 05064005 | BACK PART L.CRANKCASE COVER             |               | pz | 1    |
| 6  | 04359005 | FILTER CASING BODY CAB                  |               | pz | 1    |
| 7  | 04743020 | ASSEMBLED FILTER CASING CAB             |               | pz | 1    |
| 8  | 04361005 | AIR FILTER SUPPORT WITH GASKET CAB      |               | pz | 1    |
| 9  | 04415005 | AIR FILTER CAB                          |               | pz | 1    |
| 10 | 04362005 | BATTERY FIXING BRACKET CAB              |               | pz | 1    |
| 11 | 04365005 | MANICOTTO CASSA FILTRO CAB 500          |               | pz | 1    |
| 12 | 05199005 | TAMPONE GOMMA BLU SCARICO CAB 450       |               | pz | 1    |
| 13 | 05086005 | PROTEZIONE CALORE MARMITTA CAB 450      |               | pz | 1    |
| 14 | 05254020 | KIT RONDELLE PROT SCARICO CAB 250/450   |               | pz | 1    |
| 15 | 05092005 | FASCETTA FBS 18/12 TUBO BLOW-BY         |               | pz | 1    |
| 16 | 04083005 | PIPE ROLLER BLACK                       |               | cm | 1    |
| 17 | 04928005 | PROTEZIONE SILENZIATORE CAB SC GREZZA   |               | pz | 2    |
| 18 | 05256020 | KIT RONDELLE PROT SILENZ CAB SC 250/450 |               | pz | 1    |



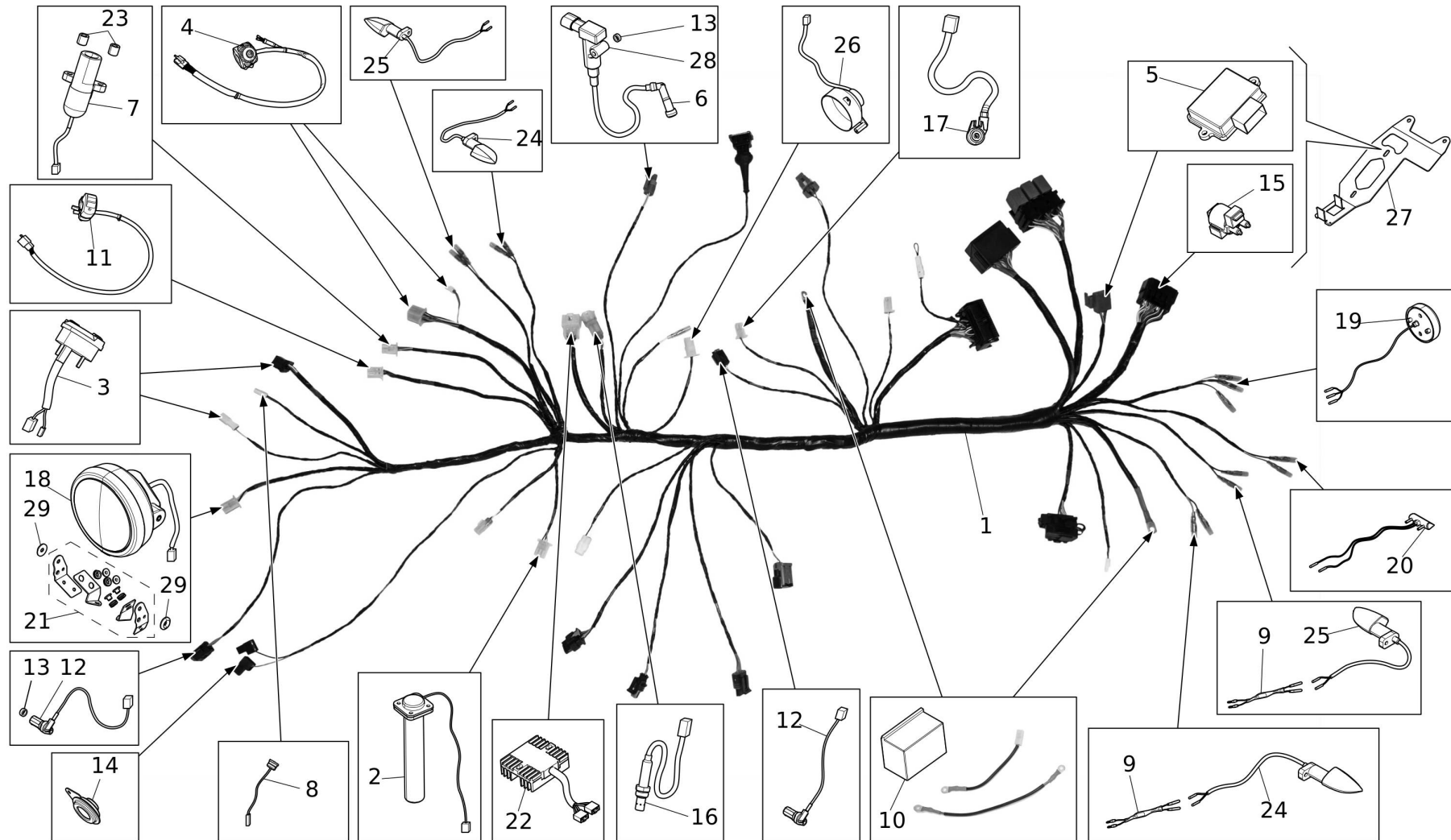


| #  | Code       | Beschreibung                           | Spezifikation | ME | Anz. |
|----|------------|--|---------------|----|------|
| 1  | 05013005   | SERBATOIO BENZINA CAB 250/450          |               | pz | 1    |
| 2  | 04400005   | TANK PIN GROMMET CAB                   |               | pz | 2    |
| 3  | 04748005   | FUEL PUMP CAB                          |               | pz | 1    |
| 4  | 05270020   | KIT FILTRO BENZINA MOTORE NC250/NC450  |               | pz | 1    |
| 5  | 05286020   | KIT TUBO SERBATOIO-FILTRO CAB450       |               | pz | 1    |
| 6  | 05287020   | KIT TUBO FILTRO-INIETTORE CAB450       |               | pz | 1    |
| 7  | 05067005   | 90                                     |               | pz | 1    |
| 8  | 05269005   | STRAIGHT QUICK CONNECTOR               |               | pz | 2    |
| 9  | 05282020   | KIT ALIMENTAZIONE BENZINA CAB 450      |               | pz | 1    |
| 10 | 05283020   | KIT TUBO SERBATOIO-CANISTER CAB450     |               | pz | 1    |
| 11 | 05284020   | KIT TUBO CANISTER-PURGE CAB450         |               | pz | 1    |
| 12 | 05285020   | KIT TUBO PURGE-COLLETTORE CAB450       |               | pz | 1    |
| 13 | NC450-0065 | PIPE ASSY                              |               | pz | 1    |
| 14 | 04792005   | TUBO GOMMA NBR 3X6                     |               | cm | 1    |
| 15 | 04741005   | STAFFA CANISTER CAB 450                |               | pz | 1    |
| 16 | NC450-0151 | CANISTER NC450                         |               | pz | 1    |
| 17 | NC450-0155 | CANISTER PURGE VALVE NC450             |               | pz | 1    |
| 18 | 04402005   | SADDLE HOOK CAB                        |               | pz | 1    |
| 19 | 04956005   | SADDLE FIXING GROMMET CAB              |               | pz | 1    |
| 20 | 04564005   | TANK SCREW SPACER CAB                  |               | pz | 1    |
| 21 | 04638005   | TANK REAR GROMMET CAB                  |               | pz | 1    |
| 22 | 04082005   | PIPE ROLLER BLACK                      |               | cm | 1    |
| 23 | 04971020   | RED CAB TANK COVER WITH WORDING        |               | pz | 1    |
| 24 | 04401005   | CABALLERO RH-LH WORDING CAB            |               | pz | 1    |
| 25 | 04974020   | TANK PLATE COMPLETE WITH GASKETS       |               | pz | 1    |
| 26 | 04973020   | KIT OF GASKETS FOR FUEL TANK PLATE CAB |               | pz | 1    |
| 27 | 04747020   | ASSEMBLED RH SIDE PANEL CAB            |               | pz | 1    |
| 28 | 04847005   |  |               | pz | 1    |
| 29 | 04846005   |  |               | pz | 1    |
| 30 | 04369005   | OVAL RH NUMBER HOLDER CAB              |               | pz | 1    |
| 31 | 04855020   | ASSEMBLED FILTER CASING COVER CAB      |               | pz | 1    |
| 32 | 04370005   | OVAL LH NUMBER HOLDER CAB              |               | pz | 1    |
| 33 | 00766005   | BUCHSE KOTFLUEGEL VORNE 4,5            |               | pz | 3    |
| 34 | 04975020   | LH + RH CONVEYOR KIT CABALLERO         |               | pz | 1    |
| 35 | 05089005   | KIT ADESIVI PRESPAZIATI 500 CAB CROMO  |               | pz | 1    |
| 36 | 04395005   | WHITE PAINTED FRONT FENDER CAB SC      |               | pz | 1    |
| 37 | 04976020   | LH + RH FRONT FENDER LATERAL KIT CAB   |               | pz | 1    |
| 38 | 04679005   | FENDER SUPPORT ROD CAB                 |               | pz | 2    |
| 39 | 04724005   | BRAKE LEVER ROD CAB                    |               | pz | 2    |
| 40 | 04680005   | FENDER CONNECTION BRACKET CAB          |               | pz | 2    |

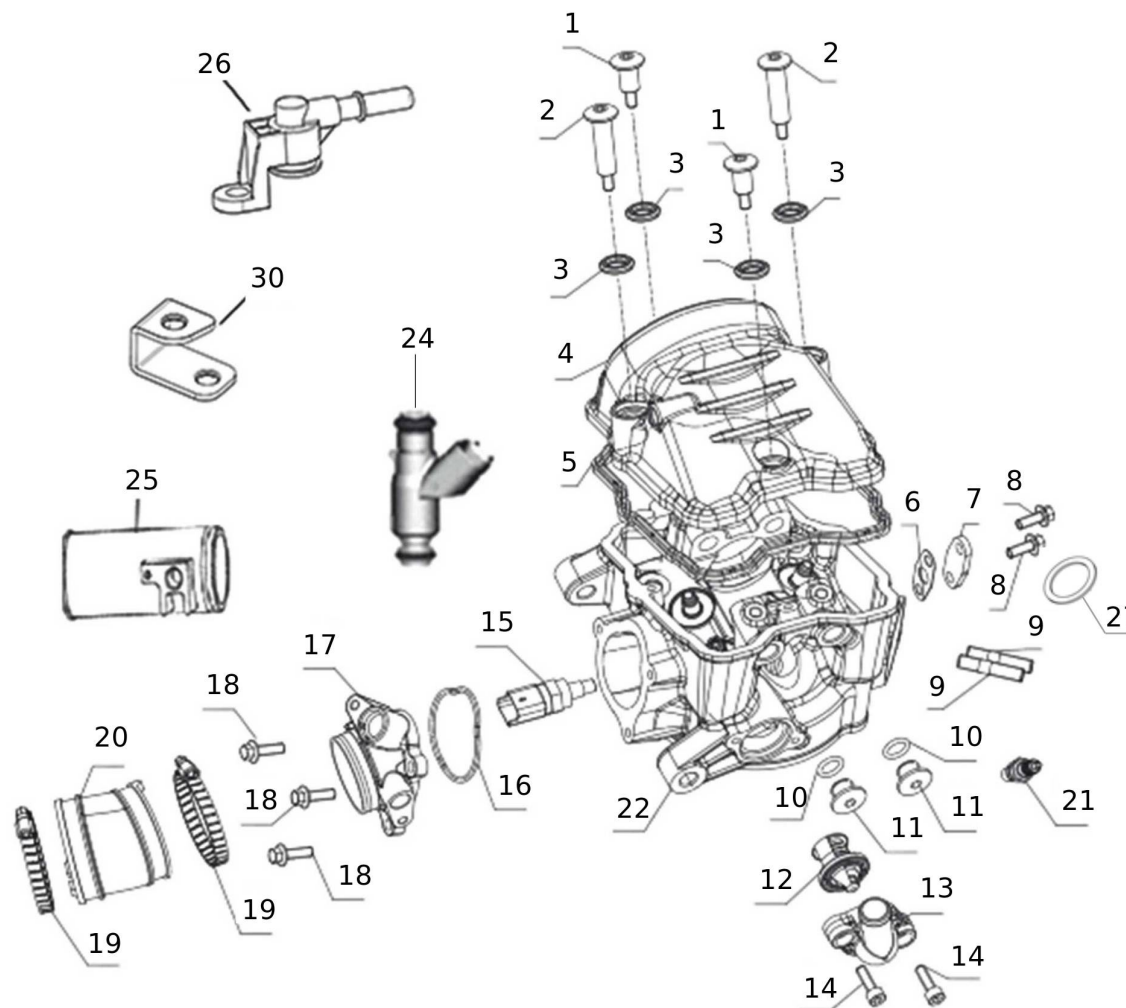
| #  | Code     | Beschreibung                          | Spezifikation | ME | Anz. |
|----|----------|---------------------------------------|---------------|----|------|
| 41 | 00340005 | WASHER-SPACE                          |               | pz | 8    |
| 42 | 04919005 | STICKER FANTIC 50YEARS GOLD           |               | pz | 2    |
| 43 | 04600005 | REAR HANDLE CAB                       |               | pz | 1    |
| 44 | 04682005 | PLATE FOR LICENSE PLATE HOLDER CAB SC |               | pz | 1    |
| 45 | 05288020 | KIT PORTATARGA CAB PA6                |               | pz | 1    |
| 46 | 03990005 | RED RECTANGULAR REFLECTOR             |               | pz | 1    |
| 47 | 04374005 | WHITE PAINTED SCRAMBLER TAIL CAB      |               | pz | 1    |
| 48 | 04977020 | REAR LIGHT CAP KIT CAB SC             |               | pz | 1    |
| 49 | 04465005 | SCRAMBLER SADDLE CAB                  |               | pz | 1    |
| 50 | 04390005 | SUPPORTO CRUSCOTTO CAB VERN ALLUMINIO |               | pz | 1    |
| 51 | 04391005 | DASHBOARD SUPPORT COVER CAB           |               | pz | 1    |
| 52 | 03944005 | ALUMINUM BUSHING                      |               | pz | 1    |
| 53 | 01689005 | CLICR 96-120 CLAMP FOR RADIATOR       |               | pz | 1    |
| 54 | 05062005 | DISTANZIALE d6 x h9                   |               | pz | 2    |



| #  | Code     | Beschreibung                             | Spezifikation | ME | Anz. |
|----|----------|--|---------------|----|------|
| 1  | 04807005 | CAVO GAS CAB 250-450                     |               | pz | 1    |
| 2  | 05198005 | KUPPLUNGSZUG 250                         |               | pz | 1    |
| 3  | 04676005 | BLACK HANDLEBAR CAB                      |               | pz | 1    |
| 4  | 05190005 | CLUTCH LEVER CONTROL FC450               |               | pz | 1    |
| 5  | 05291005 | LEVA FRIZIONE NERA CAB. 450              |               | pz | 1    |
| 6  | 00945005 | SICHERHEITSSCHALTER 125                  |               | pz | 1    |
| 7  | 04840005 | THROTTLE CONTROL FC450                   |               | pz | 1    |
| 8  | 05289005 | MANOPOLE NERE FORATE COPPIA              |               | pz | 1    |
| 9  | 05290020 | KIT CONTRAPPEO MANUBRIO CAB              |               | pz | 2    |
| 10 | 04092005 | BUCHSE                                   |               | pz | 1    |
| 11 | 04636005 | TEAR-OFF SCREW 8X30                      |               | pz | 1    |
| 12 | 04554005 | SWITCH SPACER CAB                        |               | pz | 2    |
| 13 | 00222005 | RUECKSPIEGEL                             |               | pz | 1    |
| 14 | 04776005 | REAR-VIEW MIRROR CAB LH THREAD           |               | pz | 1    |
| 15 | 04594005 | FRONT BRAKE PUMP BYBRE                   |               | pz | 1    |
| 16 | 04968005 | FRONT BRAKE LEVER BYBRE FIXED            |               | pz | 1    |
| 17 | 04989005 | FRONT STOP SWITCH CAB.                   |               | pz | 1    |
| 18 | 04592005 | FRONT BRAKE CALLIPER BYBRE GOLD          |               | pz | 1    |
| 19 | 04965005 | FRONT BRAKE PADS BREMBO SYNT. TT2910     |               | pz | 2    |
| 20 | 04990005 | FRONT BRAKE CALLIPER BLEED SCREW CAB.    |               | pz | 1    |
| 21 | 04595005 | REAR BRAKE PUMP COMPLETE BYBRE           |               | pz | 1    |
| 22 | 04593020 | REAR BRAKE CALLIPER BYBRE GOLD FINISHED  |               | pz | 1    |
| 23 | 04966005 | REAR BRAKE PADS BYBRE ORGANIC            |               | pz | 1    |
| 24 | 04969005 | ABS CONTROL UNIT CAB. PROGRAMMED SC      |               | pz | 1    |
| 25 | 04603005 | REAR BRAKE TUBE CAB PUMP - ABS CONTROL U |               | pz | 1    |
| 26 | 04604005 | REAR BRAKE TUBE CAB ABS CONTROL UNIT - C |               | pz | 1    |
| 27 | 04605005 | FRONT BRAKE TUBE CAB PUMP - ABS CONTROL  |               | pz | 1    |
| 28 | 04606005 | FRONT BRAKE TUBE CAB ABS CONTROL UNIT -  |               | pz | 1    |
| 29 | 02112005 | STOPSCHALTER HINTEN                      |               | pz | 1    |
| 30 | 00271005 | BRAKING SYSTEM LOADING SCREW             |               | pz | 7    |
| 31 | 00270005 | DICHTUNG BREMSLEITUNG                    |               | pz | 16   |
| 32 | 04931005 | REAR BRAKE PUMP CLOSING CLIP             |               | pz | 1    |
| 33 | 04984020 | REAR BRAKE PEDAL KIT CAB                 |               | pz | 1    |
| 34 | 04545005 | FRONT BRAKE CALLIPER SPACER CAB          |               | pz | 2    |
| 35 | 05257020 | KIT MOLLA TORSIONALE PEDALE FRENO CAB    |               | pz | 1    |
| 36 | 05062005 | DISTANZIALE d6 x h9                      |               | pz | 1    |
| 37 | 04935005 | FERMACAVO NERO A DOPPIA SEDE             |               | pz | 8    |

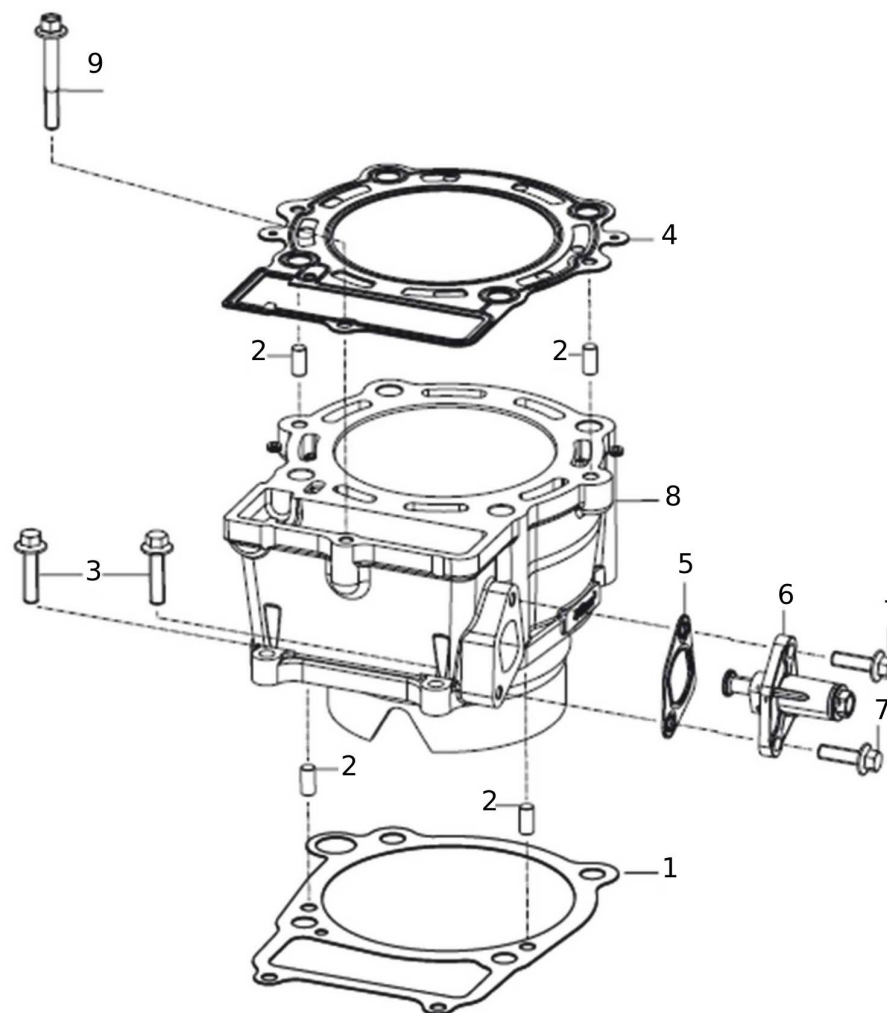


| #  | Code       | Beschreibung                             | Spezifikation | ME | Anz. |
|----|------------|--|---------------|----|------|
| 1  | 04755005   | CABLAGGIO CAB 450 EURO4                  |               | pz | 1    |
| 2  | 04641005   | FUEL LEVEL PROBE CAB                     |               | pz | 1    |
| 3  | 04417005   | INSTRUMENT CABALLERO                     |               | pz | 1    |
| 4  | 04642005   | LIGHTS DEVICE WITH ABS WARNING LIGHT CAB |               | pz | 1    |
| 5  | 04908005   | ECU 250-450 EURO4                        |               | pz | 1    |
| 6  | NC450-0153 | SPARK PLUG CAP                           |               | pz | 1    |
| 7  | 04416005   | COMPLETE KEY BLOCK KIT CAB               |               | pz | 1    |
| 8  | 04644005   | FUEL RESERVE WARNING LIGHT CAB           |               | pz | 1    |
| 9  | 04936005   | DIRECTION INDICATORS RESISTANCE CAB      |               | pz | 2    |
| 10 | 04079005   | BATTERY (WITHOUT MAINTENANCE) 8A         |               | pz | 1    |
| 11 | 04643005   | IGNITION DEVICE CAB                      |               | pz | 1    |
| 12 | 04414005   | SPEED SENSOR CABALLERO                   |               | pz | 2    |
| 13 | 00766005   | BUCHSE KOTFLUEGEL VORNE 4,5              |               | pz | 1    |
| 14 | 00898005   | HUPE                                     |               | pz | 1    |
| 15 | 05267005   | RELAIS ANLASSER 250-450 30A              |               | pz | 1    |
| 16 | 05213005   | LAMBDA SENSOR E4 FC250-450/TL250         |               | pz | 1    |
| 17 | 04597005   | KICKSTAND ROTATION SENSOR CAB            |               | pz | 1    |
| 18 | 05212005   | HEADLIGHT CAB EVO                        |               | pz | 1    |
| 19 | 04598005   | TAIL LIGHT CABALLERO                     |               | pz | 1    |
| 20 | 04640005   | LICENSE PLATE LIGHT CAB                  |               | pz | 1    |
| 21 | 05262020   | KIT STAFFE SUPPORTO FANALE               |               | pz | 1    |
| 22 | NC450-0152 | RECTIFIER                                |               | pz | 1    |
| 23 | 04554005   | SWITCH SPACER CAB                        |               | pz | 2    |
| 24 | 01374005   | BLINKER                                  |               | pz | 2    |
| 25 | 01375005   | BLINKER                                  |               | pz | 2    |
| 26 | 04157005   | LUEFTER TL250                            |               | pz | 1    |
| 27 | 04923005   | ELECTRONIC COMPONENTS SUPPORT (FLAT TRAC |               | pz | 1    |
| 28 | NC250-0263 | IGNITION COIL NC250/NC450                |               | pz | 1    |
| 29 | 03944005   | ALUMINUM BUSHING                         |               | pz | 2    |

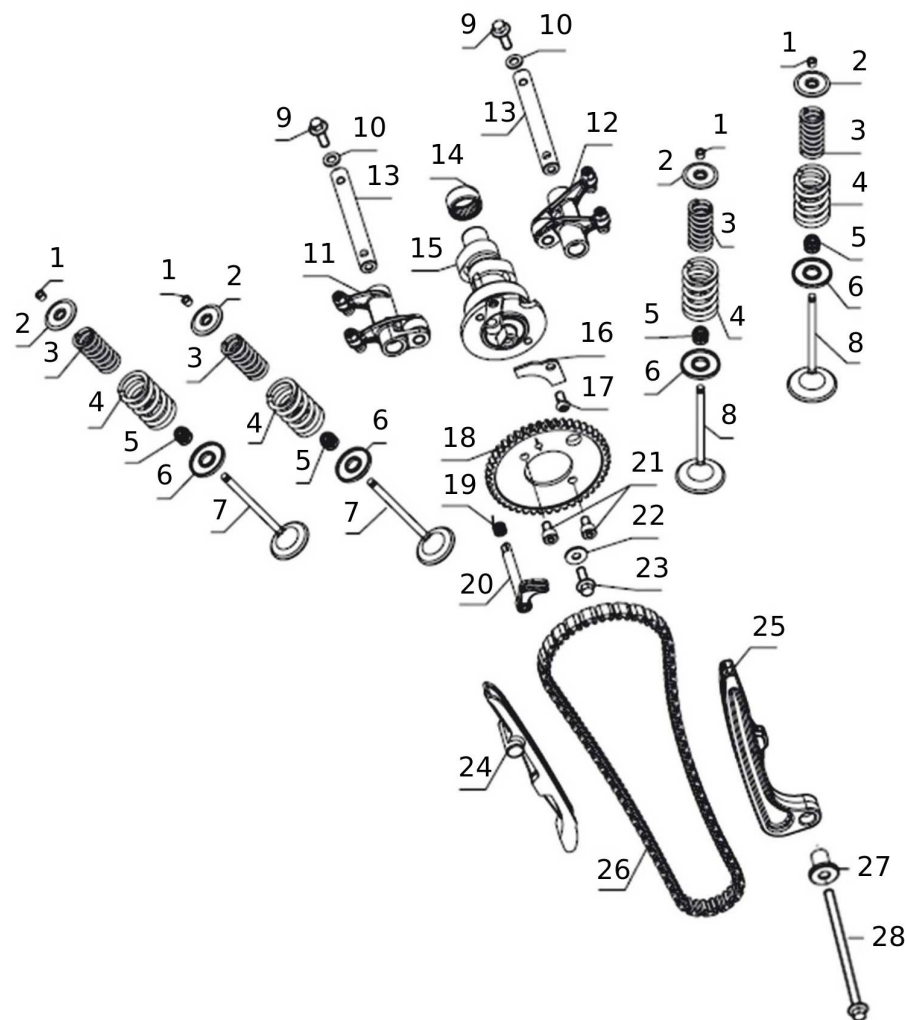


| #  | Code       | Beschreibung                           | Spezifikation | ME | Anz. |
|----|------------|--|---------------|----|------|
| 1  | NC450-0001 | SCREW                                  |               | pz | 2    |
| 2  | NC450-0002 | SCREW                                  |               | pz | 2    |
| 3  | NC450-0003 | TELLERSCHEIBE                          |               | pz | 4    |
| 4  | NC450-0004 | UPPER COVER CYLINDER HEAD              |               | pz | 1    |
| 5  | NC450-0005 | SEAL RING OF UPPER COVER CYLINDER HEAD |               | pz | 1    |
| 6  | NC450-0006 | PAPER GASKET                           |               | pz | 1    |
| 7  | NC450-0007 | INTAKE COVER BOARD                     |               | pz | 1    |
| 8  | NC250-0024 | BOLT M6                                |               | pz | 2    |
| 9  | NC450-0008 | BOLT M8                                |               | pz | 2    |
| 10 | NC250-0009 | O-RING 11.8                            |               | pz | 2    |
| 11 | NC250-0010 | CAP                                    |               | pz | 2    |
| 12 | NC450-0009 | THERMOSTAT ASSY                        |               | pz | 1    |
| 13 | NC450-0010 | THERMOSTAT COVER                       |               | pz | 1    |
| 14 | NC450-0011 | BOLT M8                                |               | pz | 2    |
| 15 | NC450-0012 | TEMPERATURE SENSOR OF COOLING FLUID    |               | pz | 1    |
| 16 | NC450-0013 | INLET PIPE SEALING RING                |               | pz | 1    |
| 17 | NC450-0014 | INLET PIPE                             |               | pz | 1    |
| 18 | NC250-0032 | BOLT M6                                |               | pz | 3    |
| 19 | NC450-0015 | CLAMP INLET PIPE                       |               | pz | 2    |
| 20 | NC450-0016 | INLET PIPE CONNECTOR                   |               | pz | 1    |
| 21 | 05250005   | SPARK PLUG NGK ER9EH-6N                |               | pz | 1    |
| 22 | NC450-0017 | TESTATA                                |               | pz | 1    |
| 23 | NC450-0018 | PRESSURE SENSOR INTAKE AIR             |               | pz | 1    |
| 24 | NC450-0019 | FUEL INJECTOR NC450                    |               | pz | 1    |
| 25 | NC450-0020 | THROTTLE BODY NC450                    |               | pz | 1    |
| 26 | 05203005   | SUPPORTO INIETTORE CAB 450             |               | pz | 1    |
| 27 | NC450-0021 | EXHAUST GASKET                         |               | pz | 1    |
| 28 | NC250-0007 | SCHEIBE 6.5X1.5X12                     |               | pz | 1    |
| 29 | NC450-0158 | BOLT M6                                |               | pz | 1    |
| 30 | 05249005   | STAFFA SUPPORTO INIETTORE CAB 450      |               | pz | 1    |

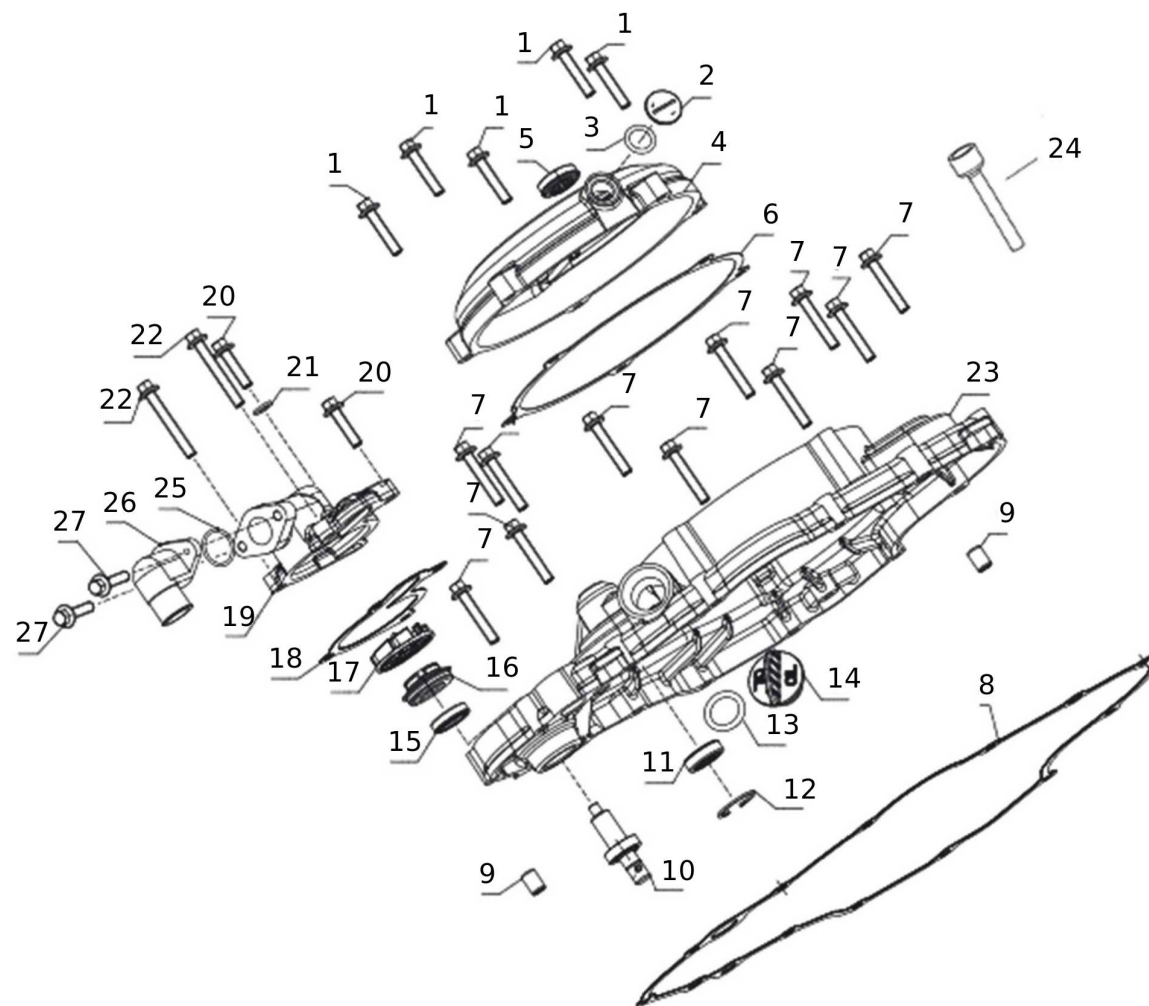




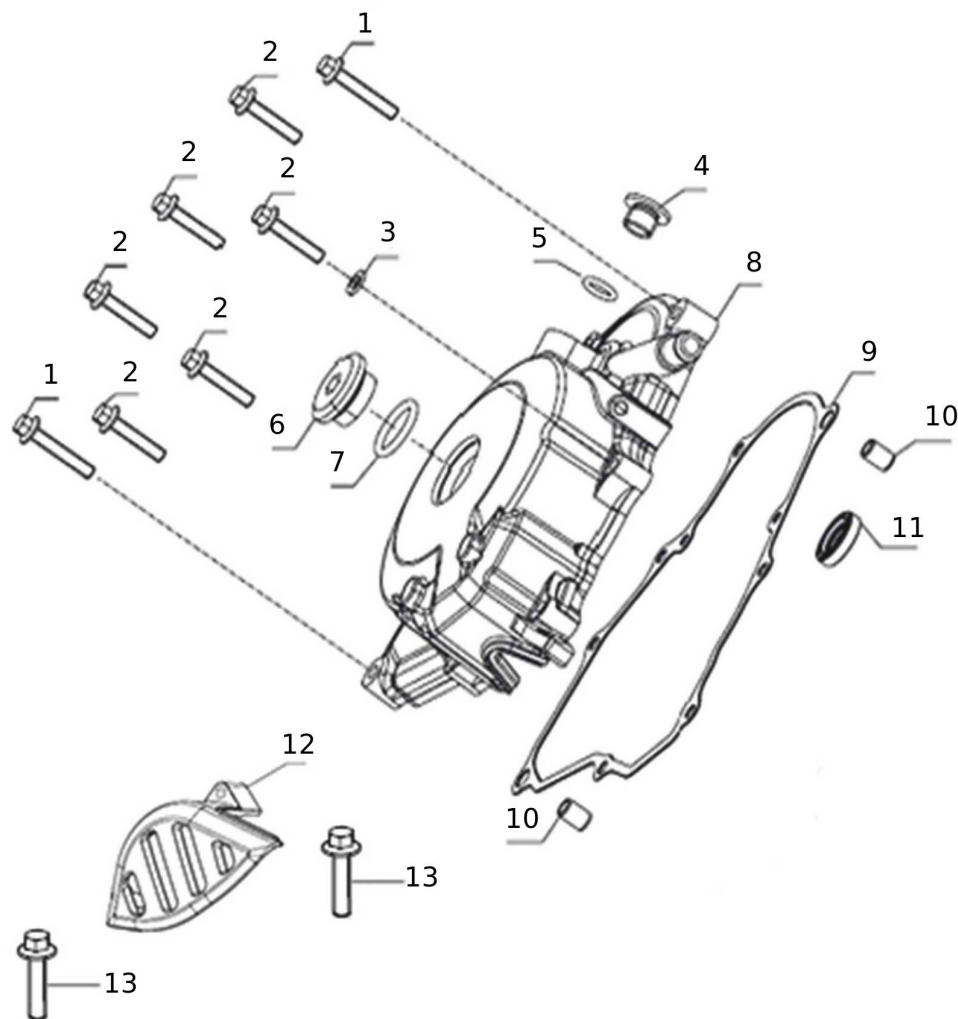
| # | Code       | Beschreibung              | Spezifikation | ME | Anz. |
|---|------------|---------------------------|---------------|----|------|
| 1 | NC450-0022 | GASKET CYLINDER BLOCK     |               | pz | 1    |
| 2 | NC250-0037 | PIN 6                     |               | pz | 4    |
| 3 | NC450-0023 | BOLT M6                   |               | pz | 2    |
| 4 | NC450-0024 | GASKET ASSY CYLINDER HEAD |               | pz | 1    |
| 5 | NC250-0034 | GASKET TENSIONER          |               | pz | 1    |
| 6 | NC250-0033 | PLUG OF TIGHTENER         |               | pz | 1    |
| 7 | NC250-0032 | BOLT M6                   |               | pz | 2    |
| 8 | NC450-0025 | CYLINDER BLOCK ASSEMBLY   |               | pz | 1    |
| 9 | NC450-0098 | BOLT M6                   |               | pz | 1    |



| #  | Code       | Beschreibung                  | Spezifikation | ME | Anz. |
|----|------------|-------------------------------|---------------|----|------|
| 1  | NC250-0038 | VALVE LOCKER                  |               | pz | 8    |
| 2  | NC450-0026 | SPRING SEAT                   |               | pz | 4    |
| 3  | NC450-0027 | VALVE INNER SPRING            |               | pz | 4    |
| 4  | NC450-0028 | VALVE OUTER SPRING            |               | pz | 4    |
| 5  | NC250-0041 | SEAL VALVE STEM               |               | pz | 4    |
| 6  | NC450-0029 | OUTER VALVE SPRING RETAINER   |               | pz | 4    |
| 7  | NC450-0030 | EXHAUST VALVE                 |               | pz | 2    |
| 8  | NC450-0031 | INTAKE VALVE                  |               | pz | 2    |
| 9  | NC450-0032 | BOLT M6                       |               | pz | 2    |
| 10 | NC250-0007 | SCHEIBE 6.5X1.5X12            |               | pz | 2    |
| 11 | NC450-0033 | ROCKER ARM ASSEMBLY VALVE     |               | pz | 1    |
| 12 | NC450-0034 | ROCKER ARM ASSEMBLY VALVE     |               | pz | 1    |
| 13 | NC450-0035 | ROCKER SHAFT                  |               | pz | 2    |
| 14 | NC450-0036 | NEEDLE BEARING HK1812-B       |               | pz | 1    |
| 15 | NC450-0037 | GAMP SHAFT COMP               |               | pz | 1    |
| 16 | NC450-0038 | STOP PLATE CAMSHAFT           |               | pz | 1    |
| 17 | NC450-0039 | BOLT M6                       |               | pz | 1    |
| 18 | NC450-0040 | KETTENRAD STEUERKETTE         |               | pz | 1    |
| 19 | NC450-0041 | CAMSHAFT DECOMPRESSION SPRING |               | pz | 1    |
| 20 | NC450-0042 | CENTRIFUGAL MASS ASSY         |               | pz | 1    |
| 21 | NC250-0023 | BOLT M6                       |               | pz | 2    |
| 22 | NC250-0057 | SCHEIBE 6.5X1.5X12            |               | pz | 1    |
| 23 | NC250-0024 | BOLT M6                       |               | pz | 1    |
| 24 | NC450-0043 | GUIDE PLATE CHAIN             |               | pz | 1    |
| 25 | NC450-0044 | TENSION PLATE ASSY            |               | pz | 1    |
| 26 | NC450-0045 | TIMING CHAIN                  |               | pz | 1    |
| 27 | NC450-0046 | BUCHSE                        |               | pz | 1    |
| 28 | NC450-0047 | BOLT M6                       |               | pz | 1    |



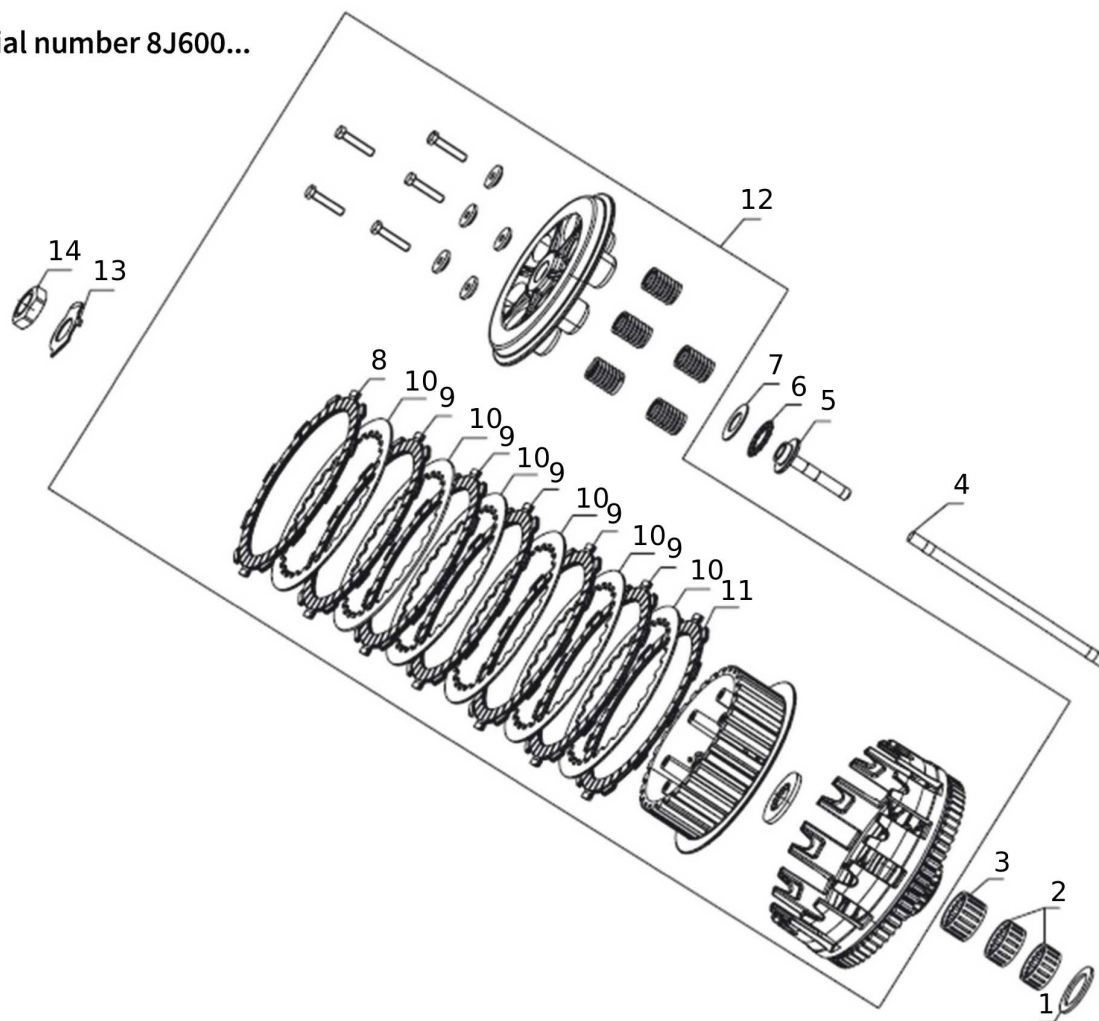
| #  | Code       | Beschreibung              | Spezifikation | ME | Anz. |
|----|------------|---------------------------|---------------|----|------|
| 1  | NC450-0048 | BOLT M6                   |               | pz | 5    |
| 2  | NC250-0070 | CAP SMALL VIEW HOLE       |               | pz | 1    |
| 3  | NC250-0069 | O-RING 13.2               |               | pz | 1    |
| 4  | NC450-0049 | RIGHT CRANKCASE EXT COVER |               | pz | 1    |
| 5  | NC250-0067 | OIL LEVEL SIGHT WINDOW    |               | pz | 1    |
| 6  | NC450-0050 | GASKET RH EXT COVER       |               | pz | 1    |
| 7  | NC250-0077 | BOLT M6                   |               | pz | 11   |
| 8  | NC450-0051 | GASKET R.CRANKCASE COVER  |               | pz | 1    |
| 9  | NC250-0074 | DOWEL PIN 9               |               | pz | 2    |
| 10 | NC450-0052 | WATER PUMP SHAFT          |               | pz | 1    |
| 11 | NC250-0084 | OIL SEAL 14               |               | pz | 1    |
| 12 | NC250-0085 | RETAINING RING D24        |               | pz | 1    |
| 13 | NC250-0075 | O-RING 18                 |               | pz | 1    |
| 14 | NC250-0076 | OIL PLUG ASSY             |               | pz | 1    |
| 15 | NC250-0083 | OIL SEAL 12               |               | pz | 1    |
| 16 | NC250-0081 | WATER PUMP GASKET         |               | pz | 1    |
| 17 | NC450-0053 | WATER PUMP ROTOR          |               | pz | 1    |
| 18 | NC450-0054 | WATER PUMP GASKET         |               | pz | 1    |
| 19 | NC450-0055 | DECKEL WASSERPUMPE        |               | pz | 1    |
| 20 | NC250-0012 | BOLT M6                   |               | pz | 2    |
| 21 | NC250-0007 | SCHEIBE 6.5X1.5X12        |               | pz | 1    |
| 22 | NC450-0056 | BOLT M6                   |               | pz | 2    |
| 23 | NC450-0057 | RIGHT CRANKCASE COVER     |               | pz | 1    |
| 24 | NC450-0058 | WATER PUMP INTAKE PIPE    |               | pz | 1    |
| 25 | NC450-0059 | O-RING 19                 |               | pz | 1    |
| 26 | NC450-0060 | WATER PIPE ELBOW FITTING  |               | pz | 1    |
| 27 | NC250-0024 | BOLT M6                   |               | pz | 2    |



| #  | Code       | Beschreibung                | Spezifikation | ME | Anz. |
|----|------------|-----------------------------|---------------|----|------|
| 1  | NC250-0077 | BOLT M6                     |               | pz | 2    |
| 2  | NC250-0066 | BOLT M6                     |               | pz | 6    |
| 3  | NC250-0007 | SCHEIBE 6.5X1.5X12          |               | pz | 1    |
| 4  | NC250-0010 | CAP                         |               | pz | 1    |
| 5  | NC250-0009 | O-RING 11.8                 |               | pz | 1    |
| 6  | NC250-0094 | CAP BIG VIEW HOLE           |               | pz | 1    |
| 7  | NC450-0061 | O-RING 22.5                 |               | pz | 1    |
| 8  | NC450-0062 | LEFT CRANKCASE COVER        |               | pz | 1    |
| 9  | NC450-0063 | LEFT CRANKCASE GASKET       |               | pz | 1    |
| 10 | NC250-0074 | DOWEL PIN 9                 |               | pz | 2    |
| 11 | NC450-0064 | OIL SEAL 14                 |               | pz | 1    |
| 12 | 05064005   | BACK PART L.CRANKCASE COVER |               | pz | 1    |

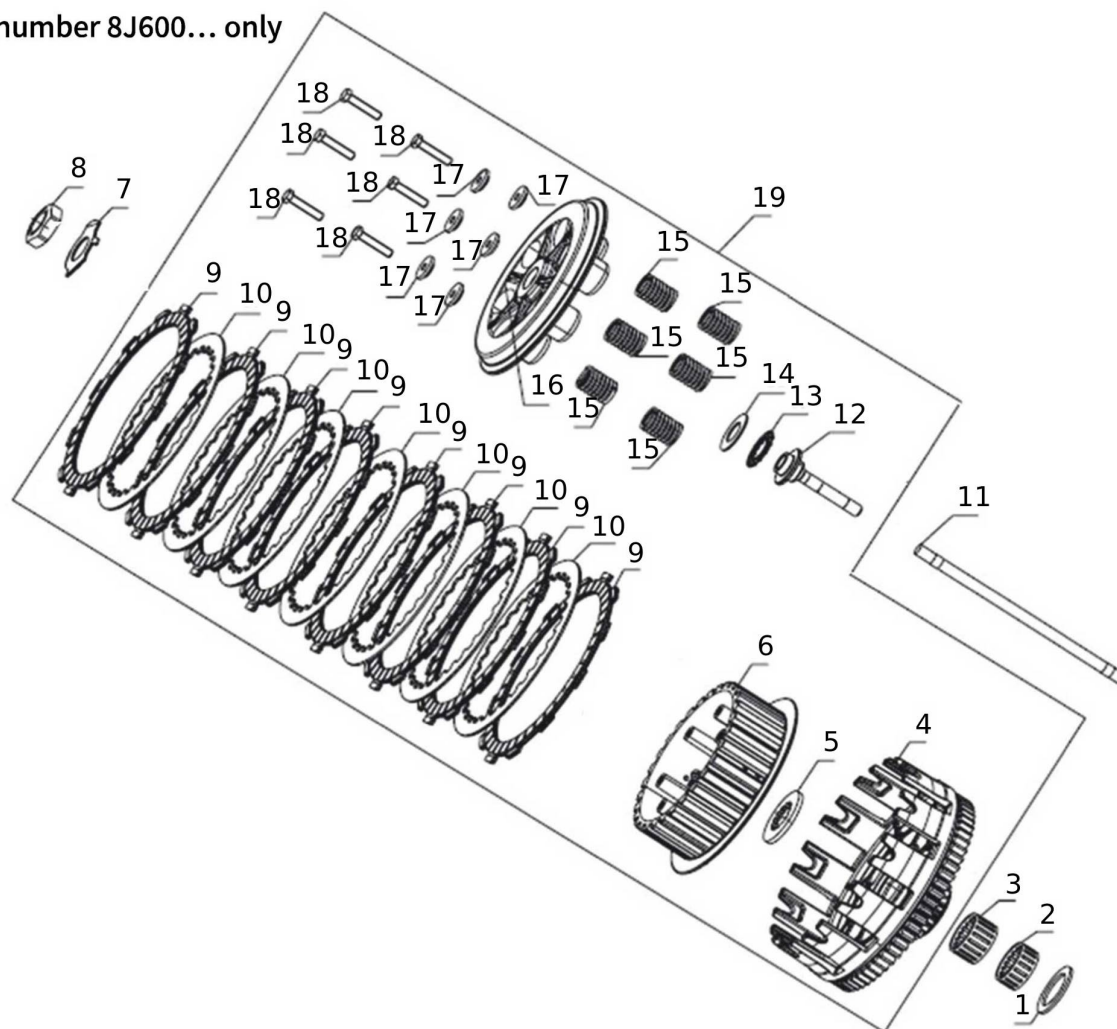


Not for engines with serial number 8J600...

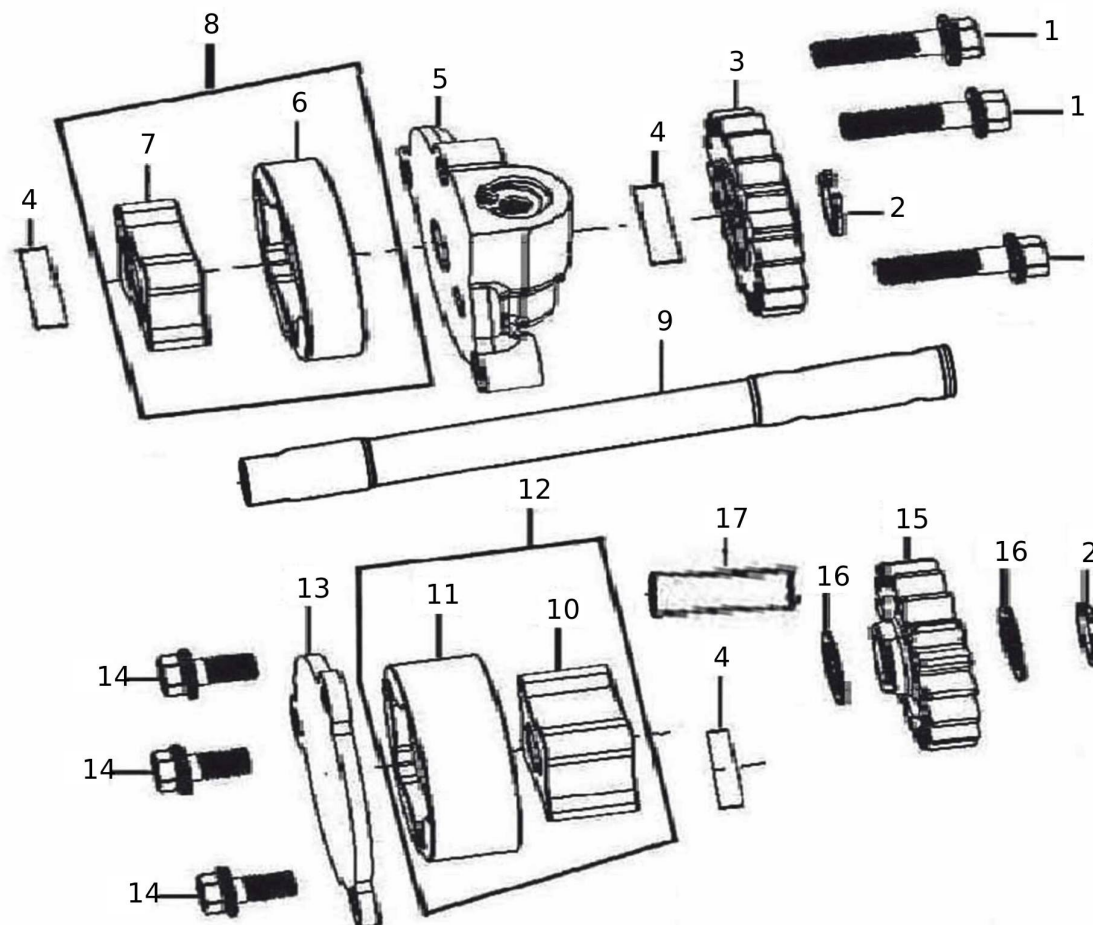


| #  | Code       | Beschreibung         | Spezifikation | ME | Anz. |
|----|------------|----------------------|---------------|----|------|
| 1  | NC450-0066 | WASHER 25            |               | pz | 1    |
| 2  | NC450-0067 | NEEDLE BEARING (K25  |               | pz | 2    |
| 3  | NC450-0068 | NEEDLE BEARING (K25  |               | pz | 1    |
| 4  | NC250-0113 | PUSHING ROD CLUTCH   |               | pz | 1    |
| 5  | NC450-0069 | DRUCKSTANGE KUPPLUNG |               | pz | 1    |
| 6  | NC250-0106 | LAGER (AXK1528)      |               | pz | 1    |
| 7  | NC250-0107 | SCHEIBE 15X1X28      |               | pz | 1    |
| 8  | NC450-0070 | KUPPLUNGSSCHEIBE     |               | pz | 1    |
| 9  | NC450-0071 | KUPPLUNGSSCHEIBE     |               | pz | 5    |
| 10 | NC450-0072 | DRIVEN FRICTION DISK |               | pz | 6    |
| 11 | NC450-0073 | KUPPLUNGSSCHEIBE     |               | pz | 1    |
| 12 | NC450-0074 | CLUTCH ASSY          |               | pz | 1    |
| 13 | NC450-0075 | STOP WASHER CLUTCH   |               | pz | 1    |
| 14 | NC250-0191 | NUT M18              |               | pz | 1    |

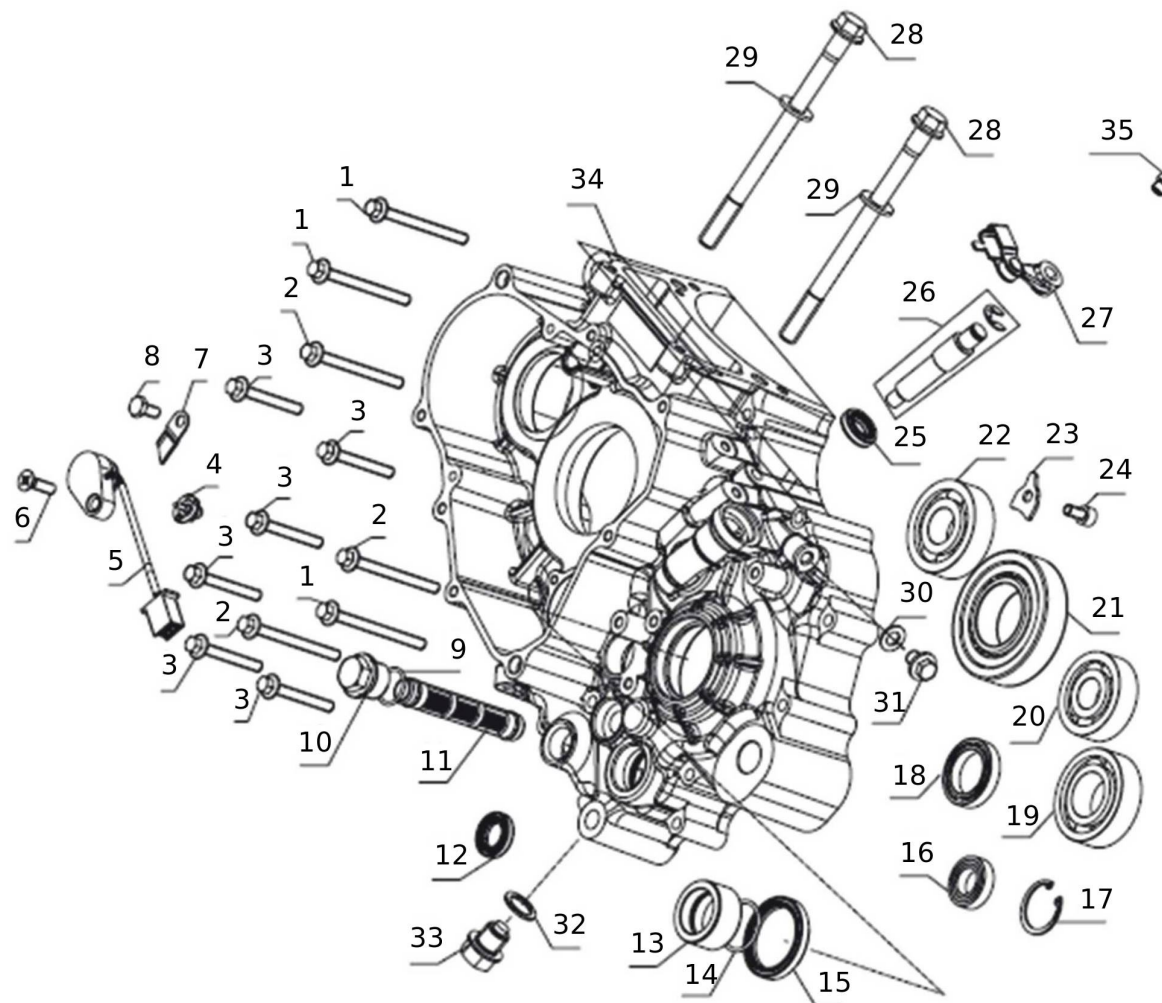
For engines with serial number 8J600... only



| #  | Code       | Beschreibung             | Spezifikation | ME | Anz. |
|----|------------|--------------------------|---------------|----|------|
| 1  | NC450-0066 | WASHER 25                |               | pz | 1    |
| 2  | NC250-0114 | NEEDLE BEARING (K25      |               | pz | 1    |
| 3  | NC450-0068 | NEEDLE BEARING (K25      |               | pz | 1    |
| 4  | NC450-0159 | OUT CASE ASSEMBLY CLUTCH |               | pz | 1    |
| 5  | NC450-0160 | TELLERSCHEIBE            |               | pz | 1    |
| 6  | NC450-0161 | CENTER SLEEVE CLUTCH     |               | pz | 1    |
| 7  | NC250-0190 | CRANKSHAFT STOP WASHER   |               | pz | 1    |
| 8  | NC250-0191 | NUT M18                  |               | pz | 1    |
| 9  | NC250-0101 | KUPPLUNGSSCHEIBE         |               | pz | 8    |
| 10 | NC450-0162 | DRIVEN FRICTION DISK     |               | pz | 7    |
| 11 | NC250-0113 | PUSHING ROD CLUTCH       |               | pz | 1    |
| 12 | NC450-0163 | DRUCKSTANGE KUPPLUNG     |               | pz | 6    |
| 13 | NC250-0106 | LAGER (AXK1528)          |               | pz | 1    |
| 14 | NC250-0107 | SCHEIBE 15X1X28          |               | pz | 1    |
| 15 | NC250-0108 | KUPPLUNGSFEDER           |               | pz | 6    |
| 16 | NC250-0109 | PRESSURE PLATE CLUTCH    |               | pz | 1    |
| 17 | NC250-0110 | CLUTCH SPRING SEAT       |               | pz | 6    |
| 18 | NC250-0111 | BOLT M5                  |               | pz | 6    |
| 19 | NC450-0164 | CLUTCH ASSY              |               | pz | 1    |

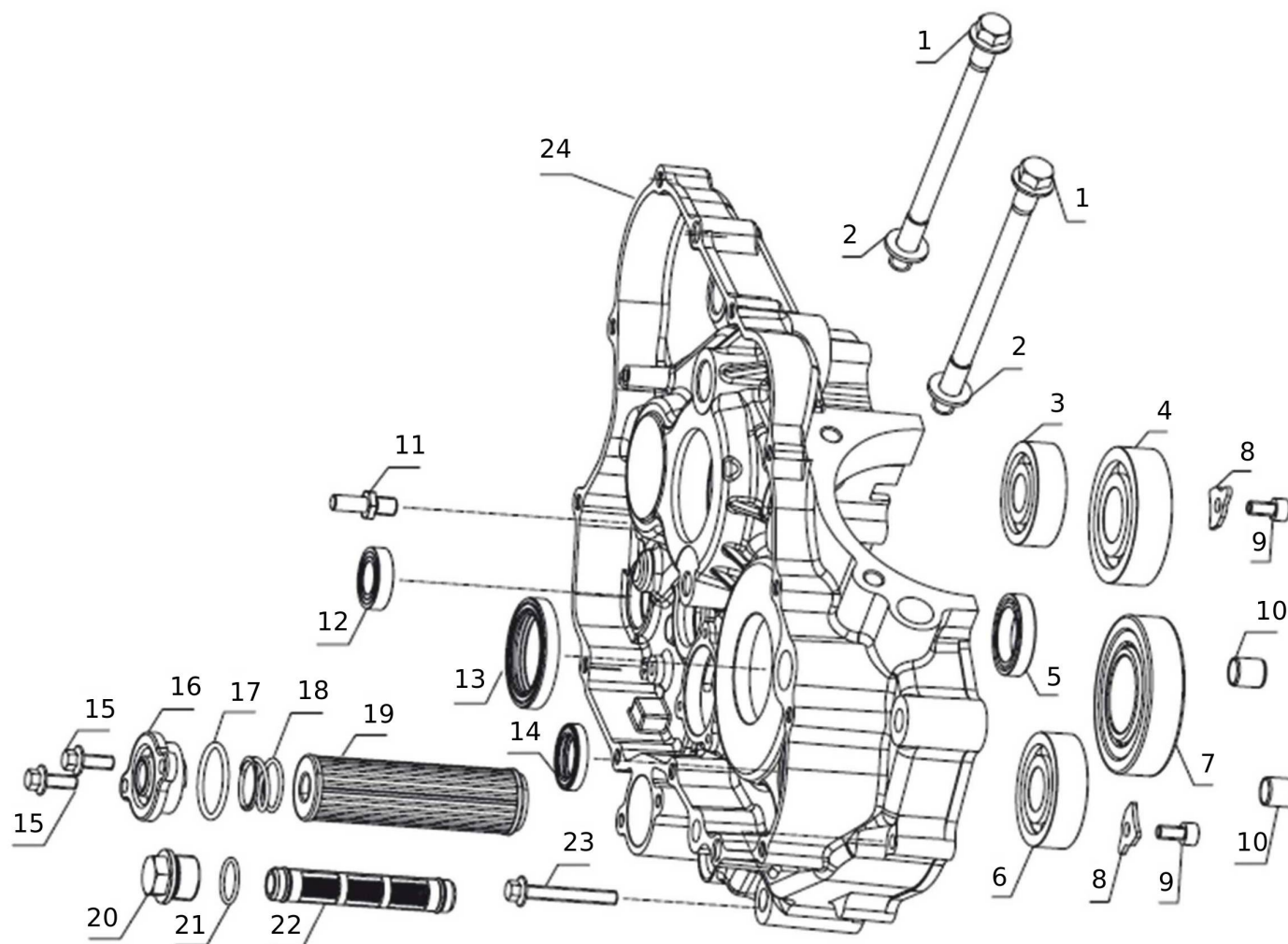


| #  | Code       | Beschreibung         | Spezifikation | ME | Anz. |
|----|------------|----------------------|---------------|----|------|
| 1  | NC250-0115 | BOLT M5              |               | pz | 3    |
| 2  | NC250-0116 | RETAINING RING D10   |               | pz | 2    |
| 3  | NC450-0076 | ZAHNRAD OELPUMPE     |               | pz | 1    |
| 4  | NC250-0118 | PIN D4               |               | pz | 3    |
| 5  | NC250-0119 | DECKEL OELPUMPE      |               | pz | 1    |
| 6  | NC250-0120 | OUTER ROTOR OIL PUMP |               | pz | 1    |
| 7  | NC250-0121 | INNER ROTOR OIL PUMP |               | pz | 1    |
| 8  | NC250-0122 | OIL PUMP ROTOR       |               | pz | 1    |
| 9  | NC250-0123 | OIL PUMP SHAFT       |               | pz | 1    |
| 10 | NC250-0124 | INNER ROTOR OIL PUMP |               | pz | 1    |
| 11 | NC250-0125 | OUTER ROTOR OIL PUMP |               | pz | 1    |
| 12 | NC250-0126 | OIL PUMP ROTOR       |               | pz | 1    |
| 13 | NC250-0127 | DECKEL OELPUMPE      |               | pz | 1    |
| 14 | NC250-0128 | BOLT M5              |               | pz | 3    |
| 15 | NC450-0077 | ZAHNRAD OELPUMPE     |               | pz | 1    |
| 16 | NC250-0130 | SCHEIBE 10.2X0.5X15  |               | pz | 2    |
| 17 | NC250-0131 | OIL PUMP SHAFT       |               | pz | 1    |

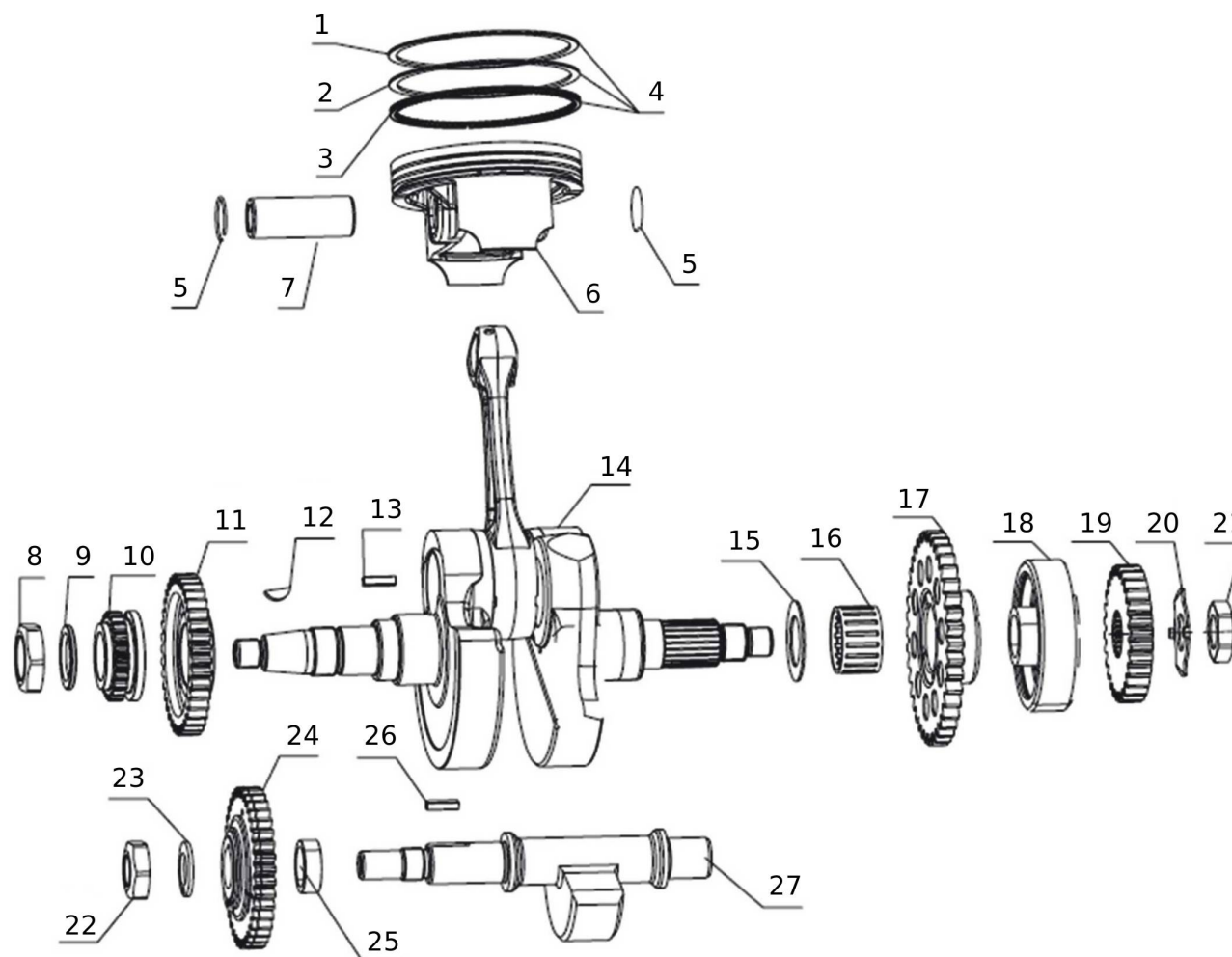


| #  | Code       | Beschreibung            | Spezifikation | ME | Anz. |
|----|------------|-------------------------|---------------|----|------|
| 1  | NC450-0078 | BOLT M6                 |               | pz | 3    |
| 2  | NC250-0132 | BOLT M6                 |               | pz | 3    |
| 3  | NC450-0079 | BOLT M6                 |               | pz | 6    |
| 4  | NC250-0234 | CONTACT GEAR INDICATION |               | pz | 1    |
| 5  | NC450-0080 | GEARSHIFT SWITCH        |               | pz | 1    |
| 6  | NC450-0081 | SCREW M6                |               | pz | 1    |
| 7  | NC450-0082 | POSITION PLATE          |               | pz | 1    |
| 8  | NC450-0083 | BOLT M6                 |               | pz | 1    |
| 9  | NC250-0138 | O-RING 17.5             |               | pz | 1    |
| 10 | NC250-0137 | STOPFEN OELFILTER       |               | pz | 1    |
| 11 | NC250-0139 | STRAINER OIL FILTER     |               | pz | 1    |
| 12 | NC250-0140 | OIL SEAL 15             |               | pz | 1    |
| 13 | NC450-0084 | BUCHSE                  |               | pz | 1    |
| 14 | NC450-0085 | O-RING 25               |               | pz | 1    |
| 15 | NC450-0086 | OIL SEAL 35             |               | pz | 1    |
| 16 | NC250-0145 | LAGER (61902)           |               | pz | 1    |
| 17 | NC250-0144 | RETAINING RING D28      |               | pz | 1    |
| 18 | NC250-0146 | BEARING(61805)          |               | pz | 1    |
| 19 | NC450-0087 | BEARING (NJ205)         |               | pz | 1    |
| 20 | NC450-0092 | BEARING (6303RS_C3)     |               | pz | 1    |
| 21 | NC450-0094 | BEARING (NJ207EM_C3)    |               | pz | 1    |
| 22 | NC250-0162 | BEARING (6304)          |               | pz | 1    |
| 23 | NC250-0160 | BAFFLE                  |               | pz | 1    |
| 24 | NC450-0095 | BOLT M6                 |               | pz | 1    |
| 25 | NC250-0152 | OIL SEAL 14             |               | pz | 1    |
| 26 | NC450-0088 | CLUTCH SEPARATING ROD   |               | pz | 1    |
| 27 | NC250-0151 | CLUTCH ROCKER ARM       |               | pz | 1    |
| 28 | NC450-0091 | CYLINDER STUD BOLT A    |               | pz | 2    |
| 29 | NC250-0153 | SCHEIBE 10.5X2X20       |               | pz | 2    |
| 30 | NC250-0158 | SCHEIBE 8.5X12X15       |               | pz | 1    |
| 31 | NC450-0089 | BOLT M8                 |               | pz | 1    |
| 32 | NC250-0142 | WASHER 16.5             |               | pz | 1    |
| 33 | NC250-0141 | OIL DRAIN BOLT          |               | pz | 1    |
| 34 | NC450-0090 | GEHAEUSE LONKS          |               | pz | 1    |
| 35 | NC250-0157 | OIL NOZZLE              |               | pz | 1    |



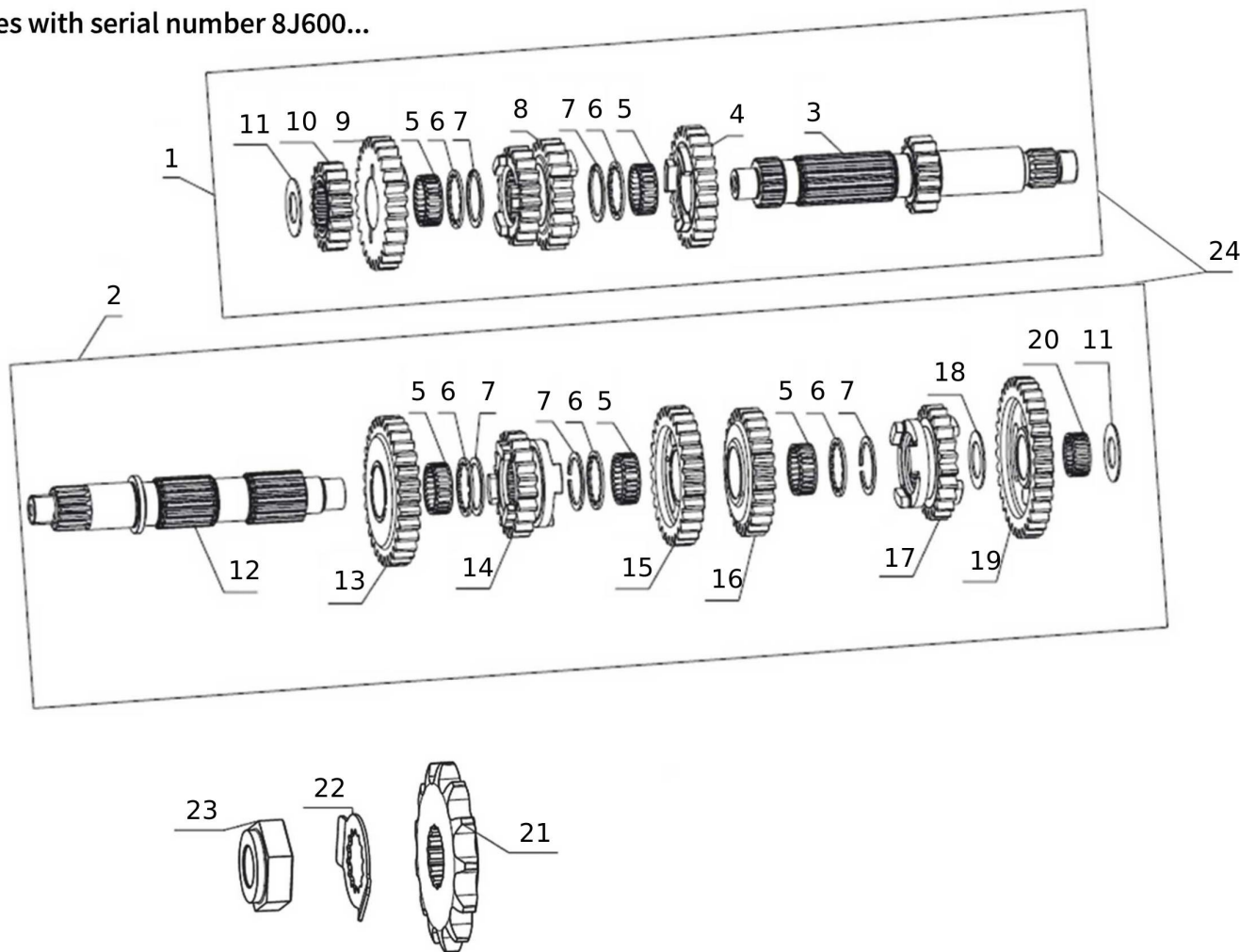


| #  | Code       | Beschreibung              | Spezifikation | ME | Anz. |
|----|------------|---------------------------|---------------|----|------|
| 1  | NC450-0091 | CYLINDER STUD BOLT A      |               | pz | 2    |
| 2  | NC250-0153 | SCHEIBE 10.5X2X20         |               | pz | 2    |
| 3  | NC450-0092 | BEARING (6303RS_C3)       |               | pz | 1    |
| 4  | NC450-0093 | BEARING (6305_P5)         |               | pz | 1    |
| 5  | NC250-0146 | BEARING(61805)            |               | pz | 1    |
| 6  | NC250-0162 | BEARING (6304)            |               | pz | 1    |
| 7  | NC450-0094 | BEARING (NJ207EM_C3)      |               | pz | 1    |
| 8  | NC250-0160 | BAFFLE                    |               | pz | 2    |
| 9  | NC450-0095 | BOLT M6                   |               | pz | 2    |
| 10 | NC250-0030 | DOWEL PIN 13              |               | pz | 2    |
| 11 | NC250-0165 | BOLT RETURN SPRING FIXING |               | pz | 1    |
| 12 | NC250-0145 | LAGER (61902)             |               | pz | 1    |
| 13 | NC450-0096 | OIL SEAL 35               |               | pz | 1    |
| 14 | NC450-0097 | SIMMERRING 20X35X5        |               | pz | 1    |
| 15 | NC250-0024 | BOLT M6                   |               | pz | 2    |
| 16 | NC250-0168 | CAP OIL FINE FILTER       |               | pz | 1    |
| 17 | NC250-0167 | O-RING 30                 |               | pz | 1    |
| 18 | NC250-0161 | SPRING OIL FINE FILTER    |               | pz | 1    |
| 19 | NC250-0166 | OIL FINE FILTER           |               | pz | 1    |
| 20 | NC250-0137 | STOPFEN OELFILTER         |               | pz | 1    |
| 21 | NC250-0138 | O-RING 17.5               |               | pz | 1    |
| 22 | NC250-0139 | STRAINER OIL FILTER       |               | pz | 1    |
| 23 | NC450-0098 | BOLT M6                   |               | pz | 1    |
| 24 | NC450-0099 | GEHAEUSE RECHTS           |               | pz | 1    |



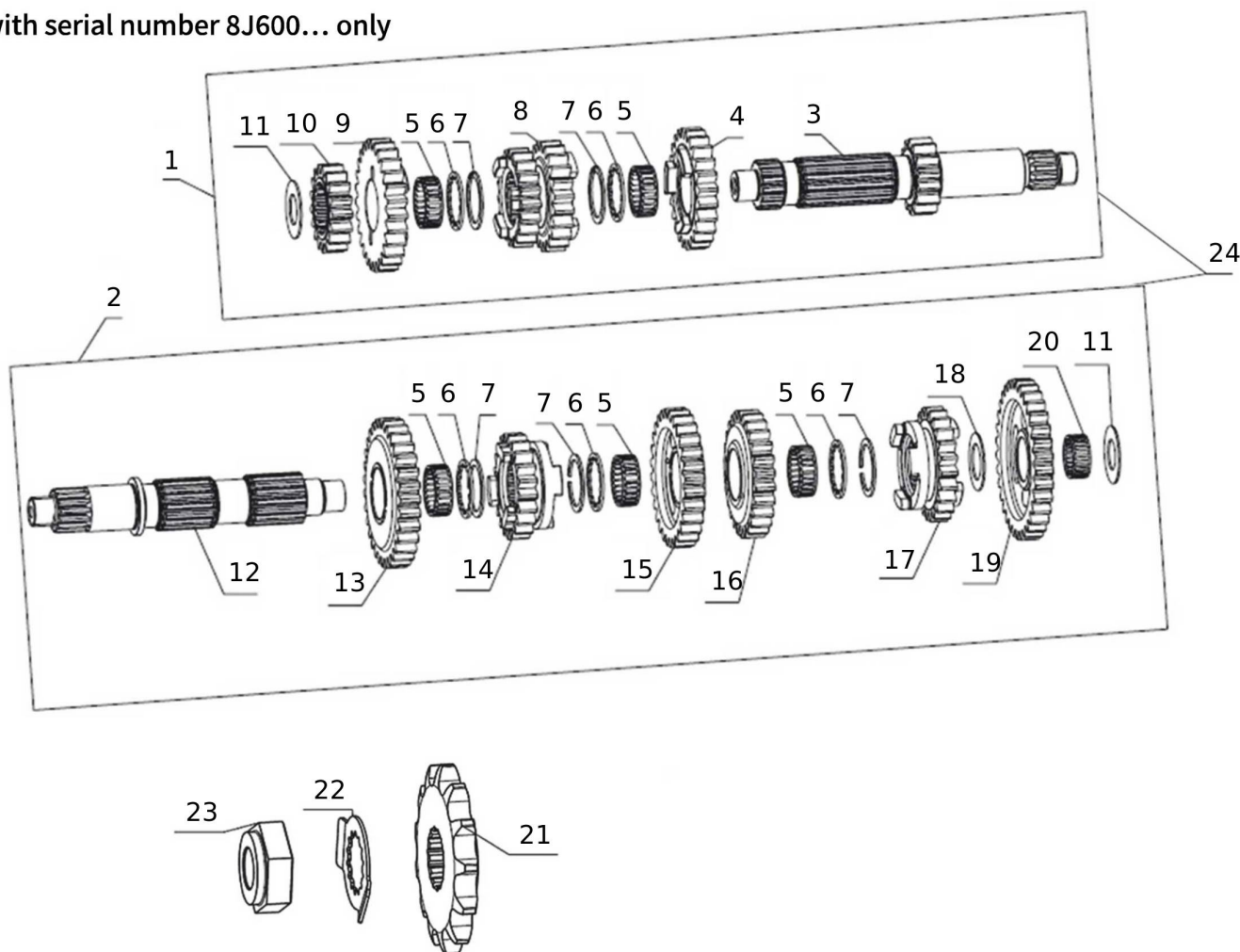
| #  | Code       | Beschreibung                   | Spezifikation | ME | Anz. |
|----|------------|--------------------------------|---------------|----|------|
| 1  | NC450-0100 | PISTON RING 1                  |               | pz | 1    |
| 2  | NC450-0101 | PISTON RING 2                  |               | pz | 1    |
| 3  | NC450-0102 | PISTON OIL RING                |               | pz | 1    |
| 4  | NC450-0103 | PISTON RING COMP               |               | pz | 1    |
| 5  | NC450-0104 | CHECK RING PISTON PIN          |               | pz | 2    |
| 6  | NC450-0105 | PISTON                         |               | pz | 1    |
| 7  | NC450-0106 | PIN PISTON                     |               | pz | 1    |
| 8  | NC250-0179 | MUTTER M24                     |               | pz | 1    |
| 9  | NC250-0180 | SCHEIBE 24.2X2.5X32            |               | pz | 1    |
| 10 | NC450-0107 | RITZEL STEUERKETTE             |               | pz | 1    |
| 11 | NC450-0108 | BALANCE SHAFT DRIVING GEAR     |               | pz | 1    |
| 12 | NC250-0183 | SEMICIRCULAR KEY               |               | pz | 1    |
| 13 | NC250-0184 | TABULATE KEY                   |               | pz | 1    |
| 14 | NC450-0109 | CRANKSHAFT CONNECTING-ROD ASSY |               | pz | 1    |
| 15 | NC450-0110 | WASHER 25                      |               | pz | 1    |
| 16 | NC250-0197 | NEEDLE BEARING (K29            |               | pz | 1    |
| 17 | NC450-0111 | PLATE GEAR ASSY                |               | pz | 1    |
| 18 | NC450-0112 | OVERRUNNING CLUTCH             |               | pz | 1    |
| 19 | NC450-0113 | PRIMARY DRIVE GEAR             |               | pz | 1    |
| 20 | NC250-0190 | CRANKSHAFT STOP WASHER         |               | pz | 1    |
| 21 | NC250-0191 | NUT M18                        |               | pz | 1    |
| 22 | NC250-0104 | LOCK NUT CLUTCH                |               | pz | 1    |
| 23 | NC250-0192 | BALANCE SHAFT DISH WASHER      |               | pz | 1    |
| 24 | NC450-0114 | BALANCE SHAFT DRIVEN GEAR      |               | pz | 1    |
| 25 | NC450-0115 | ZAHNRAD                        |               | pz | 1    |
| 27 | NC450-0116 | COUNTERSHAFT                   |               | pz | 1    |

Not for engines with serial number 8J600...



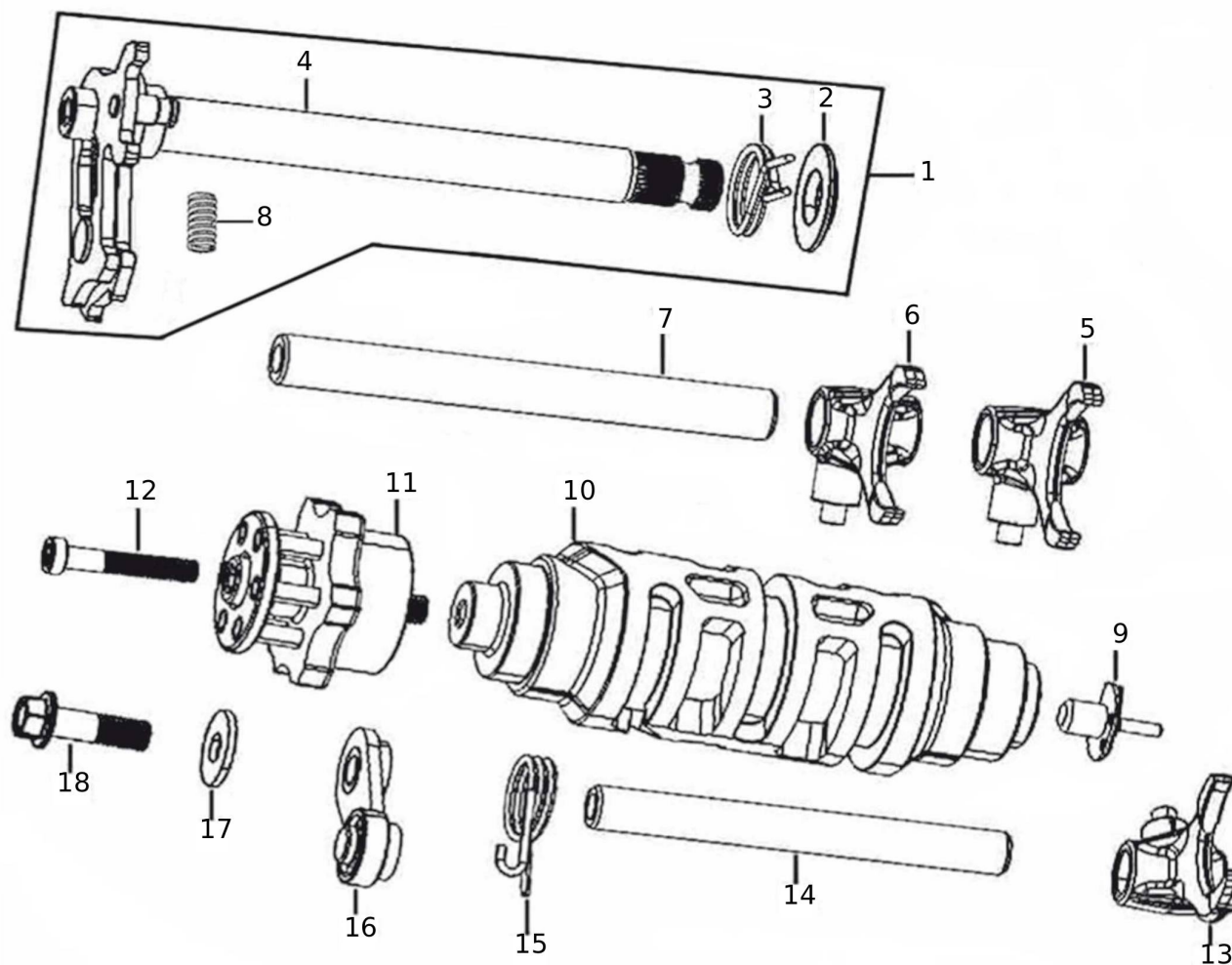
| #  | Code       | Beschreibung                  | Spezifikation | ME | Anz. |
|----|------------|-------------------------------|---------------|----|------|
| 1  | NC450-0117 | MAIN SHAFT TRANSMISSION ASSY  |               | pz | 1    |
| 2  | NC450-0118 | COUTERSHAFT TRANSMISSION ASSY |               | pz | 1    |
| 3  | NC450-0119 | MAIN SHAFT TRANSMISSION       |               | pz | 1    |
| 4  | NC450-0120 | GEAR M-5                      |               | pz | 1    |
| 5  | NC450-0121 | NEEDLE BEARING (KS24          |               | pz | 5    |
| 6  | NC450-0122 | TELLERSCHEIBE                 |               | pz | 5    |
| 7  | NC450-0123 | TELLERSCHEIBE                 |               | pz | 5    |
| 8  | NC450-0124 | GEAR M-3, M-4                 |               | pz | 1    |
| 9  | NC450-0125 | GEAR M-6                      |               | pz | 1    |
| 10 | NC450-0126 | GEAR M-2                      |               | pz | 1    |
| 11 | NC450-0127 | WASHER 17.1                   |               | pz | 2    |
| 12 | NC450-0128 | GETRIEBEWELLE                 |               | pz | 2    |
| 13 | NC450-0129 | GEAR C-2                      |               | pz | 1    |
| 14 | NC450-0130 | GEAR C-6                      |               | pz | 1    |
| 15 | NC450-0131 | GEAR C-3                      |               | pz | 1    |
| 16 | NC450-0132 | GEAR C-4                      |               | pz | 1    |
| 17 | NC450-0133 | GEAR C-5                      |               | pz | 1    |
| 18 | NC450-0134 | WASHER 20.1                   |               | pz | 1    |
| 19 | NC450-0135 | GEAR C-1                      |               | pz | 1    |
| 20 | NC250-0207 | NEEDLE BEARING (K20           |               | pz | 1    |
| 21 | 05131005   | PIGNONE SILENZIOSO NC450 Z=13 |               | pz | 1    |
| 22 | NC450-0136 | SPROCKET STOP WASHER          |               | pz | 1    |
| 23 | NC250-0210 | SPROCKET NUT                  |               | pz | 1    |
| 24 | NC450-0137 | TRANSMISSION COMPLETE KIT     |               | pz | 1    |

For engines with serial number 8J600... only

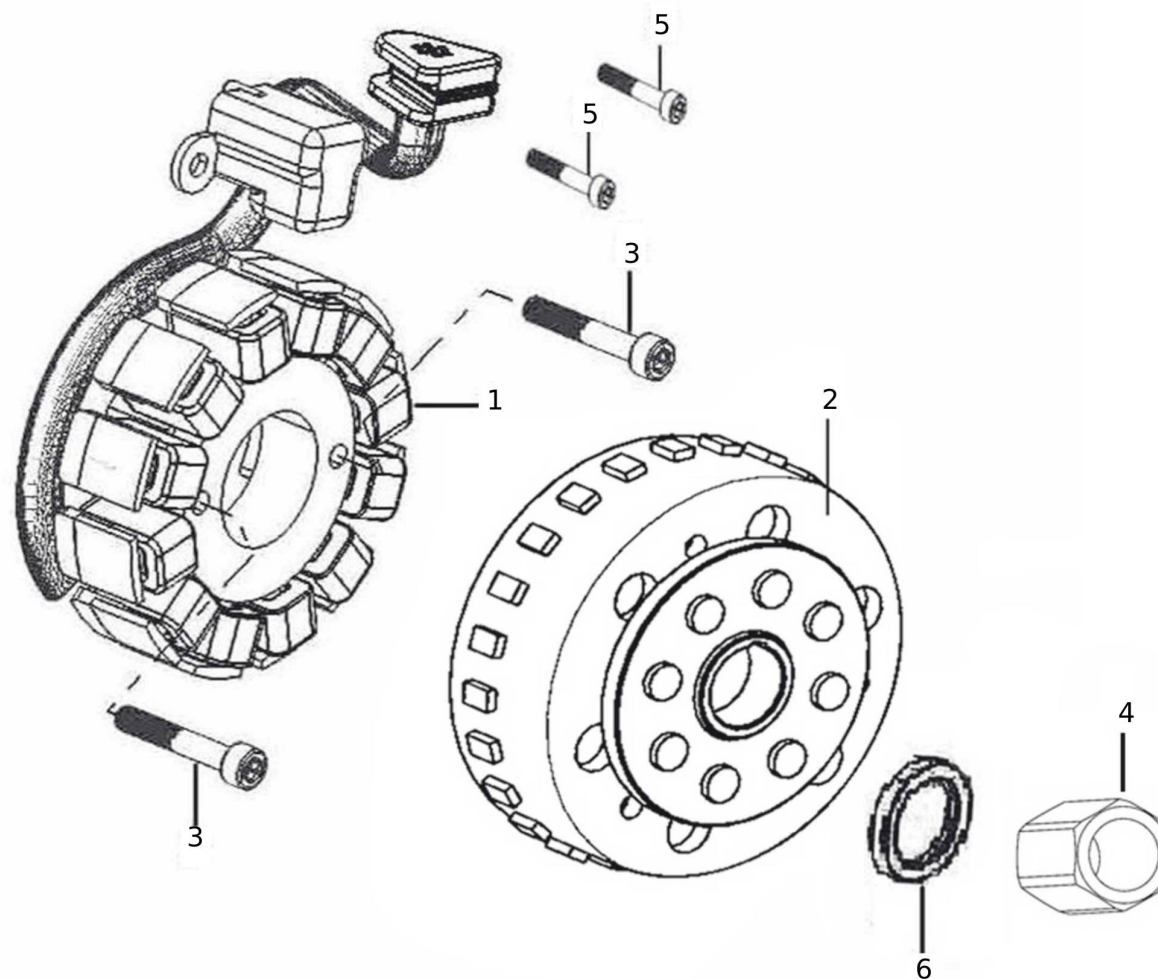


| #  | Code       | Beschreibung                  | Spezifikation | ME | Anz. |
|----|------------|-------------------------------|---------------|----|------|
| 1  | NC450-0165 | MAIN SHAFT TRANSMISSION ASSY  |               | pz | 1    |
| 2  | NC450-0118 | COUTERSHAFT TRANSMISSION ASSY |               | pz | 1    |
| 3  | NC450-0166 | MAIN SHAFT TRANSMISSION       |               | pz | 1    |
| 4  | NC450-0120 | GEAR M-5                      |               | pz | 1    |
| 5  | NC450-0121 | NEEDLE BEARING (KS24          |               | pz | 5    |
| 6  | NC450-0122 | TELLERSCHEIBE                 |               | pz | 5    |
| 7  | NC450-0123 | TELLERSCHEIBE                 |               | pz | 5    |
| 8  | NC450-0124 | GEAR M-3, M-4                 |               | pz | 1    |
| 9  | NC450-0125 | GEAR M-6                      |               | pz | 1    |
| 10 | NC450-0126 | GEAR M-2                      |               | pz | 1    |
| 11 | NC450-0127 | WASHER 17.1                   |               | pz | 2    |
| 12 | NC450-0128 | GETRIEBEWELLE                 |               | pz | 2    |
| 13 | NC450-0129 | GEAR C-2                      |               | pz | 1    |
| 14 | NC450-0130 | GEAR C-6                      |               | pz | 1    |
| 15 | NC450-0131 | GEAR C-3                      |               | pz | 1    |
| 16 | NC450-0132 | GEAR C-4                      |               | pz | 1    |
| 17 | NC450-0133 | GEAR C-5                      |               | pz | 1    |
| 18 | NC450-0134 | WASHER 20.1                   |               | pz | 1    |
| 19 | NC450-0135 | GEAR C-1                      |               | pz | 1    |
| 20 | NC250-0207 | NEEDLE BEARING (K20           |               | pz | 1    |
| 21 | 05131005   | PIGNONE SILENZIOSO NC450 Z=13 |               | pz | 1    |
| 22 | NC450-0136 | SPROCKET STOP WASHER          |               | pz | 1    |
| 23 | NC250-0210 | SPROCKET NUT                  |               | pz | 1    |
| 24 | NC450-0167 | TRANSMISSION COMPLETE KIT     |               | pz | 1    |

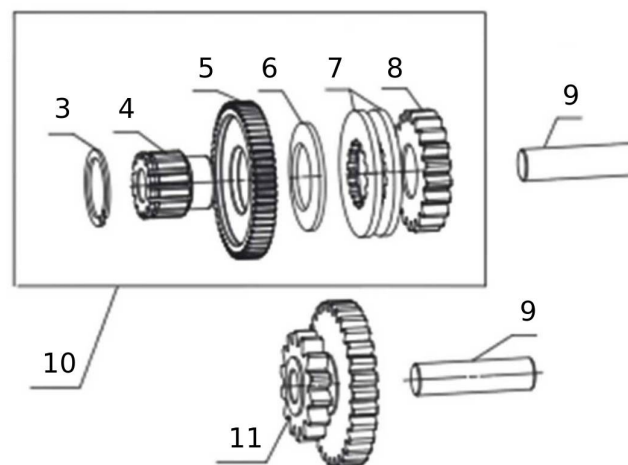
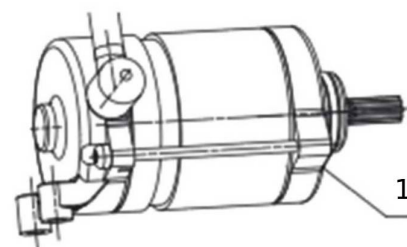




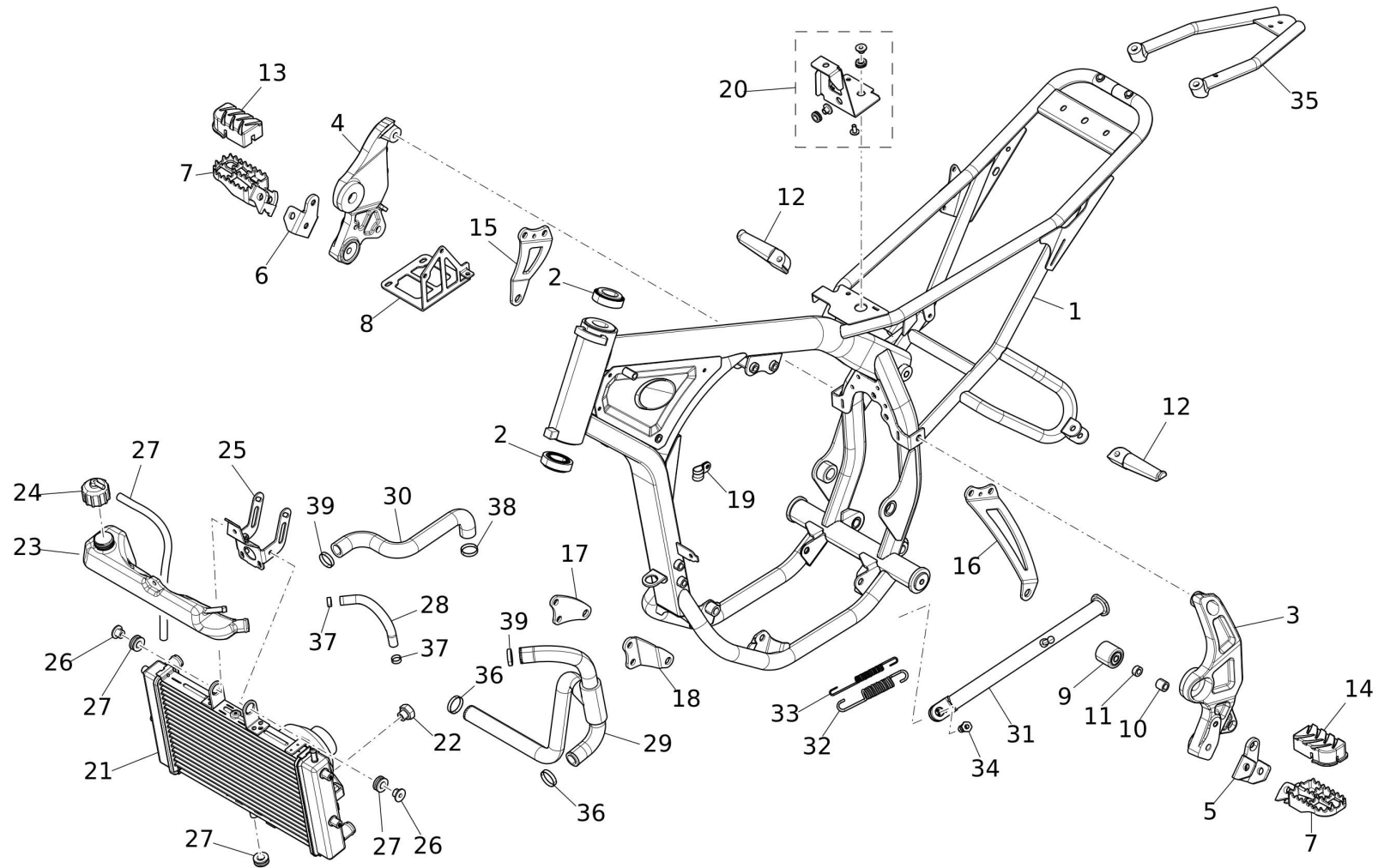
| #  | Code       | Beschreibung              | Spezifikation | ME | Anz. |
|----|------------|---------------------------|---------------|----|------|
| 1  | NC250-0226 | GEARSHIFT SHAFT COMP      |               | pz | 1    |
| 2  | NC250-0227 | AXLE SLEEVE               |               | pz | 1    |
| 3  | NC250-0228 | RETURN SPRING GEARBOX     |               | pz | 1    |
| 4  | NC250-0229 | GEARSHIFT SHAFT           |               | pz | 1    |
| 5  | NC450-0138 | LEFT FORK                 |               | pz | 1    |
| 6  | NC450-0139 | RIGHT FORK                |               | pz | 1    |
| 7  | NC450-0140 | WELLE SCHALTGABEL         |               | pz | 1    |
| 8  | NC250-0233 | SPRING GEARSHIFT SELECTOR |               | pz | 1    |
| 9  | NC250-0234 | CONTACT GEAR INDICATION   |               | pz | 1    |
| 10 | NC450-0141 | GEARSHIFT DRUM COMP       |               | pz | 1    |
| 11 | NC250-0236 | STOPPING PLATE            |               | pz | 1    |
| 12 | NC250-0077 | BOLT M6                   |               | pz | 1    |
| 13 | NC450-0142 | GUIDE PIN CENTER FORK     |               | pz | 1    |
| 14 | NC250-0239 | GUIDE PIN CENTER FORK     |               | pz | 1    |
| 15 | NC250-0240 | SPRING LOCATING PLATE     |               | pz | 1    |
| 16 | NC250-0241 | LOCATING PLATE            |               | pz | 1    |
| 17 | NC250-0057 | SCHEIBE 6.5X1.5X12        |               | pz | 1    |
| 18 | NC250-0032 | BOLT M6                   |               | pz | 1    |



| # | Code       | Beschreibung        | Spezifikation | ME | Anz. |
|---|------------|---------------------|---------------|----|------|
| 1 | NC450-0143 | STATOR ASSY MAGNETO |               | pz | 1    |
| 2 | NC250-0243 | ROTOR ASSY MAGNETO  |               | pz | 1    |
| 3 | NC250-0244 | BOLT M5             |               | pz | 2    |
| 4 | NC250-0245 | NUT M14             |               | pz | 1    |
| 5 | NC250-0246 | BOLT M5             |               | pz | 2    |
| 6 | NC250-0247 | SCHEIBE 15.2X0.5X23 |               | pz | 1    |

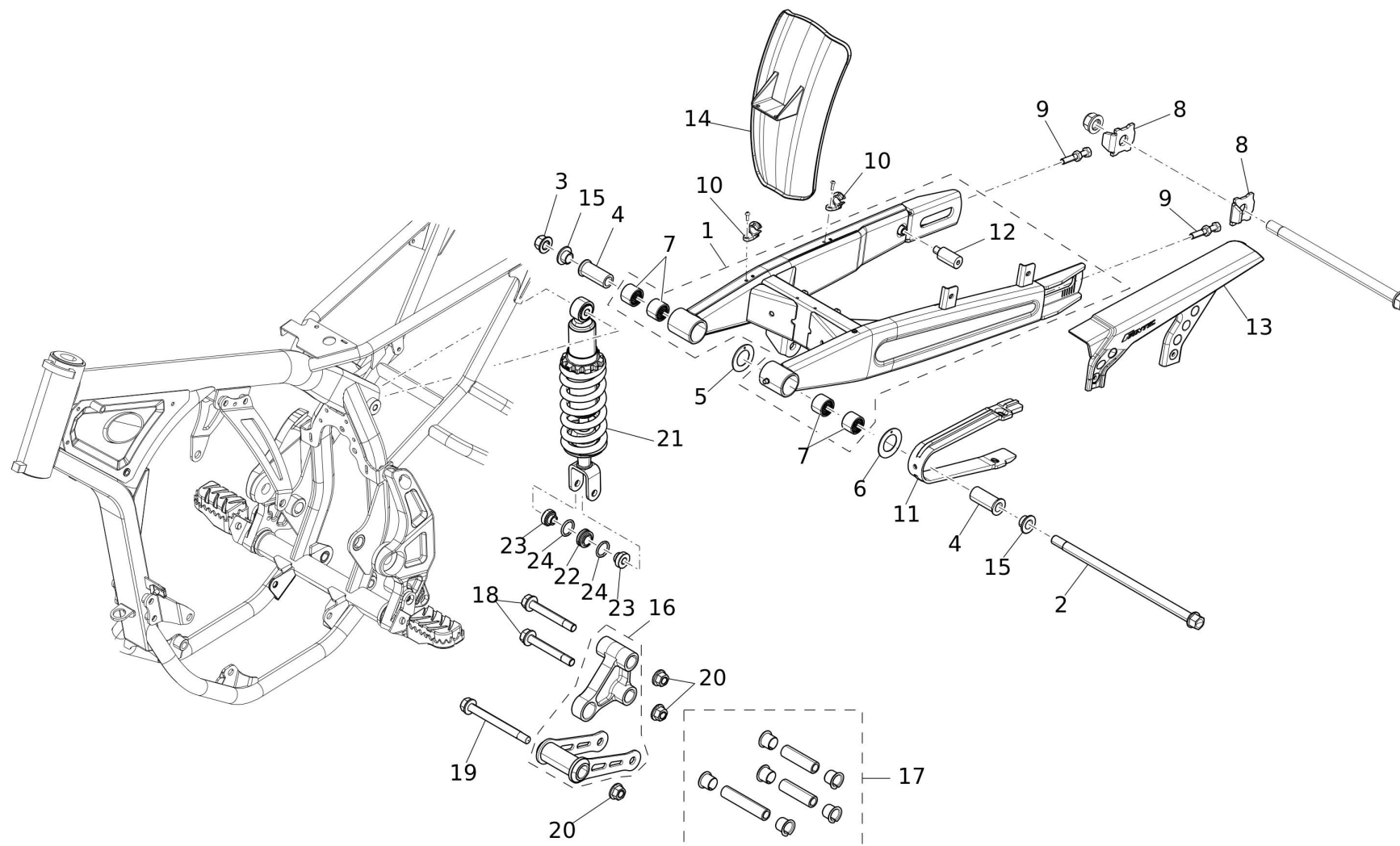


| #  | Code       | Beschreibung            | Spezifikation | ME | Anz. |
|----|------------|-------------------------|---------------|----|------|
| 1  | NC450-0144 | STARTING MOTOR ASSY     |               | pz | 1    |
| 2  | NC250-0012 | BOLT M6                 |               | pz | 2    |
| 3  | NC250-0203 | CIRCLIP                 |               | pz | 1    |
| 4  | NC450-0145 | REDUCTION SHAFT SLEEVE  |               | pz | 1    |
| 5  | NC450-0146 | TWIN GEAR SET           |               | pz | 1    |
| 6  | NC250-0250 | DISH WASHER 25.5        |               | pz | 1    |
| 7  | NC250-0251 | KINETIC FRICTION SLICES |               | pz | 2    |
| 8  | NC450-0147 | REDUCTION SHAFT SLEEVE  |               | pz | 1    |
| 9  | NC450-0148 | SHAFT REDUCTION         |               | pz | 2    |
| 10 | NC450-0149 | GEAR REDUCTION ASSY     |               | pz | 1    |
| 11 | NC450-0150 | GEAR REDUCTION 2        |               | pz | 1    |

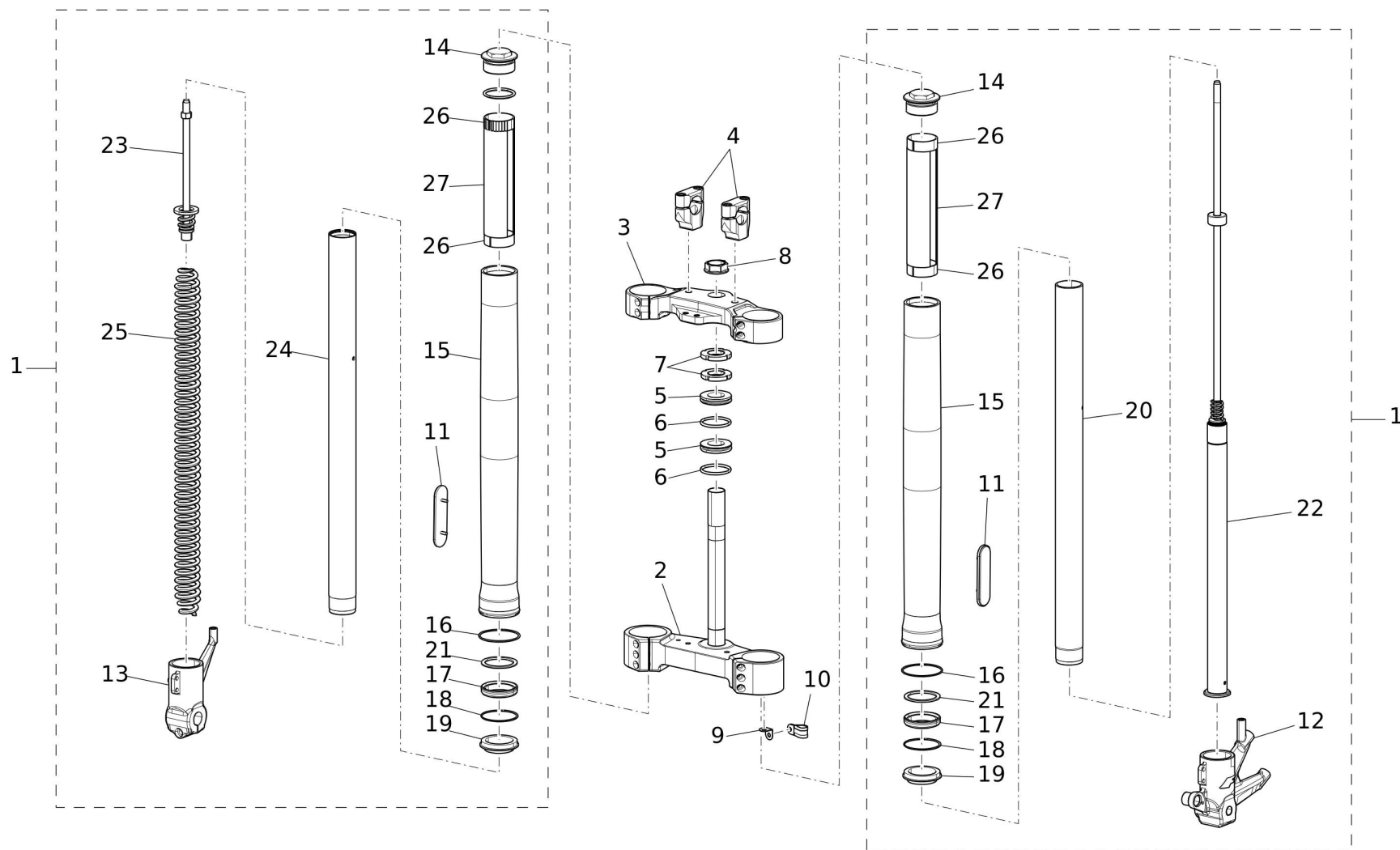


| #  | Code     | Beschreibung                            | Spezifikation | ME | Anz. |
|----|----------|---|---------------|----|------|
| 1  | 05292020 | TELAIO CABALLERO FC450FT PREPARATO      |               | pz | 1    |
| 2  | 00247005 | LENKKOPFLAGER                           |               | pz | 2    |
| 3  | 04529005 | LH LATERAL ALU PLATE CAB                |               | pz | 1    |
| 4  | 04530005 | RH LATERAL ALU PLATE CAB                |               | pz | 1    |
| 5  | 04566005 | LH FOOTREST SUPPORT BRACKET CAB         |               | pz | 1    |
| 6  | 04567005 | RH FOOTREST SUPPORT BRACKET CAB         |               | pz | 1    |
| 7  | 04224020 | FUSSRASTEN SATZ                         |               | pz | 1    |
| 8  | 05088005 | STAFFA REGOLATORE CAB 450               |               | pz | 1    |
| 9  | 00026005 | BLACK CHAIN TURNING WHEEL               |               | pz | 1    |
| 10 | 04554005 | SWITCH SPACER CAB                       |               | pz | 1    |
| 11 | 00225005 | AIS VALVE SPACER                        |               | pz | 1    |
| 12 | 00993005 | SOZIUSRASTEN                            |               | pz | 1    |
| 13 | 04574005 | GOMMA PEDANA PILOTA DX CAB              |               | pz | 1    |
| 14 | 04575005 | GOMMA PEDANA PILOTA SX CAB              |               | pz | 1    |
| 15 | 04619005 | PIASTRA DX ATT.TESTA MOTORE CAB FC-450  |               | pz | 1    |
| 16 | 04620005 | PIASTRA SX ATT.TESTA MOTORE CAB FC-450  |               | pz | 1    |
| 17 | 04621005 | PIASTRA DX ATT.FRONT. MOTORE CAB FC-450 |               | pz | 1    |
| 18 | 04622005 | PIASTRA SX ATT.FRONT. MOTORE CAB FC-450 |               | pz | 1    |
| 19 | 00324005 | FRONT BRAKE RUBBER TUBE CABLE GLAND M6  |               | pz | 3    |
| 20 | 04599005 | ABS CONTROL UNIT SUPPORT BRACKET        |               | pz | 1    |
| 21 | 04565005 | RADIATOR CAB                            |               | pz | 1    |
| 22 | 04665005 | CAP M14 RADIATOR CAB + WASHER           |               | pz | 1    |
| 23 | 04386005 | EXPANSION VESSEL CAB                    |               | pz | 1    |
| 24 | 04387005 | EXPANSION VESSEL CAP CAB                |               | pz | 1    |
| 25 | 04550005 | EXPANSION VESSEL BRACKET CAP            |               | pz | 1    |
| 26 | 00767005 | RADIATOR SUPPORTS SPACER 50cc           |               | pz | 2    |
| 27 | 00834005 | GROMMET FOR RADIATOR SUPPORTS SPACER    |               | pz | 3    |
| 28 | 04082005 | PIPE ROLLER BLACK                       |               | cm | 1    |
| 29 | 05150005 | MANICOTTO GIUNTO T RADIAT CAB 450       |               | pz | 1    |
| 30 | 04952005 | TUBO RAFFR. MOTORE RADIATORE FC450      |               | pz | 1    |
| 31 | 04596005 | SIDE STAND CAB SC+FT                    |               | pz | 1    |
| 32 | 04650005 | EXTERNAL KICKSTAND SPRING CAB           |               | pz | 1    |
| 33 | 04651005 | INTERNAL KICKSTAND SPRING CAB           |               | pz | 1    |
| 34 | 04635005 | KICKSTAND SCREW CAB                     |               | pz | 1    |
| 35 | 04681005 | LICENSE PLATE HOLDER FRAME CAB          |               | pz | 1    |
| 36 | 00274005 | CLAMP RADIATOR CLIC R250                |               | pz | 2    |
| 37 | 01689005 | CLICR 96-120 CLAMP FOR RADIATOR         |               | pz | 2    |
| 38 | 01583005 | CLAMP WATER PUMP                        |               | pz | 1    |
| 39 | 04891005 | CLICR COBRA 230 CLAMP                   |               | pz | 2    |

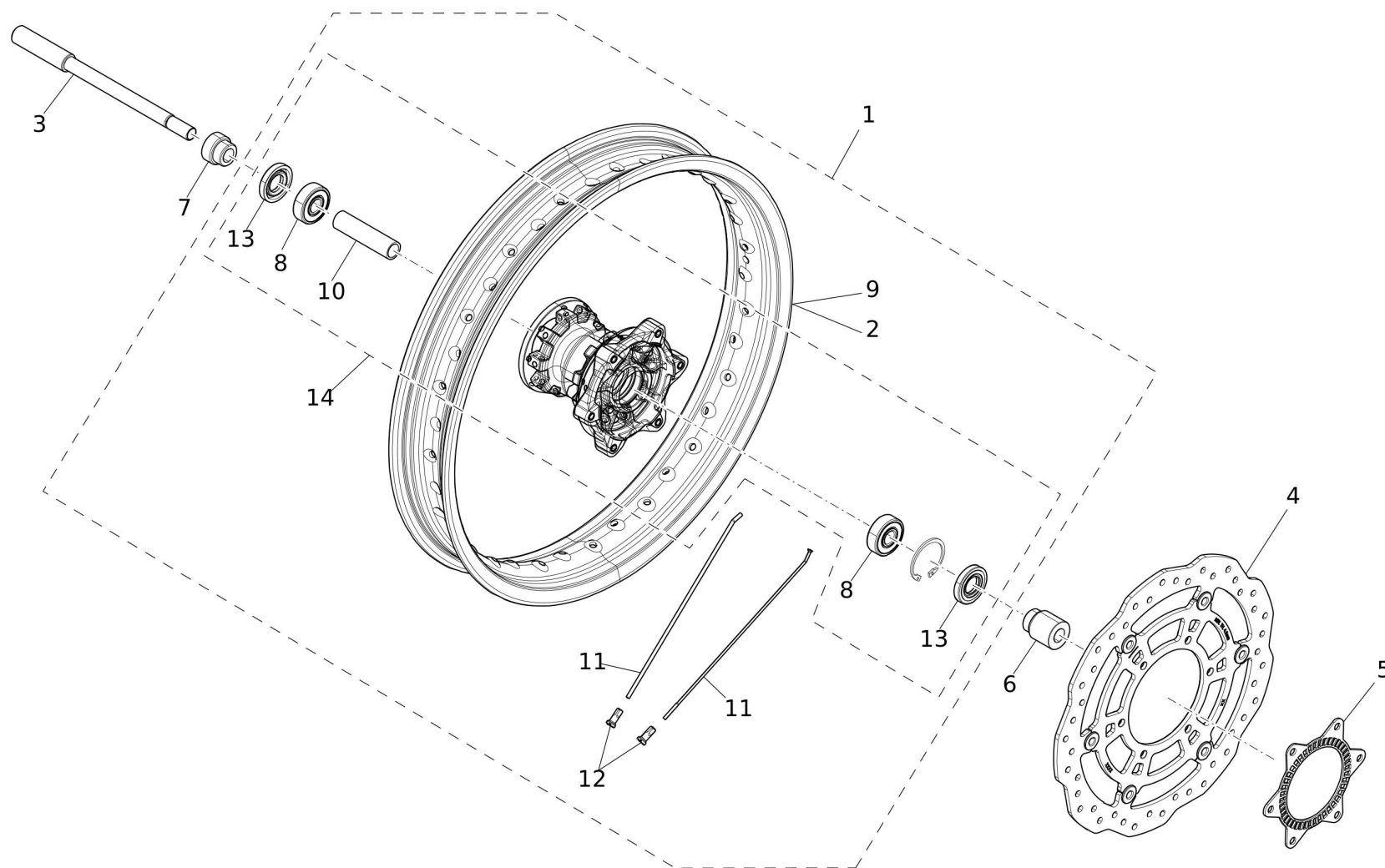




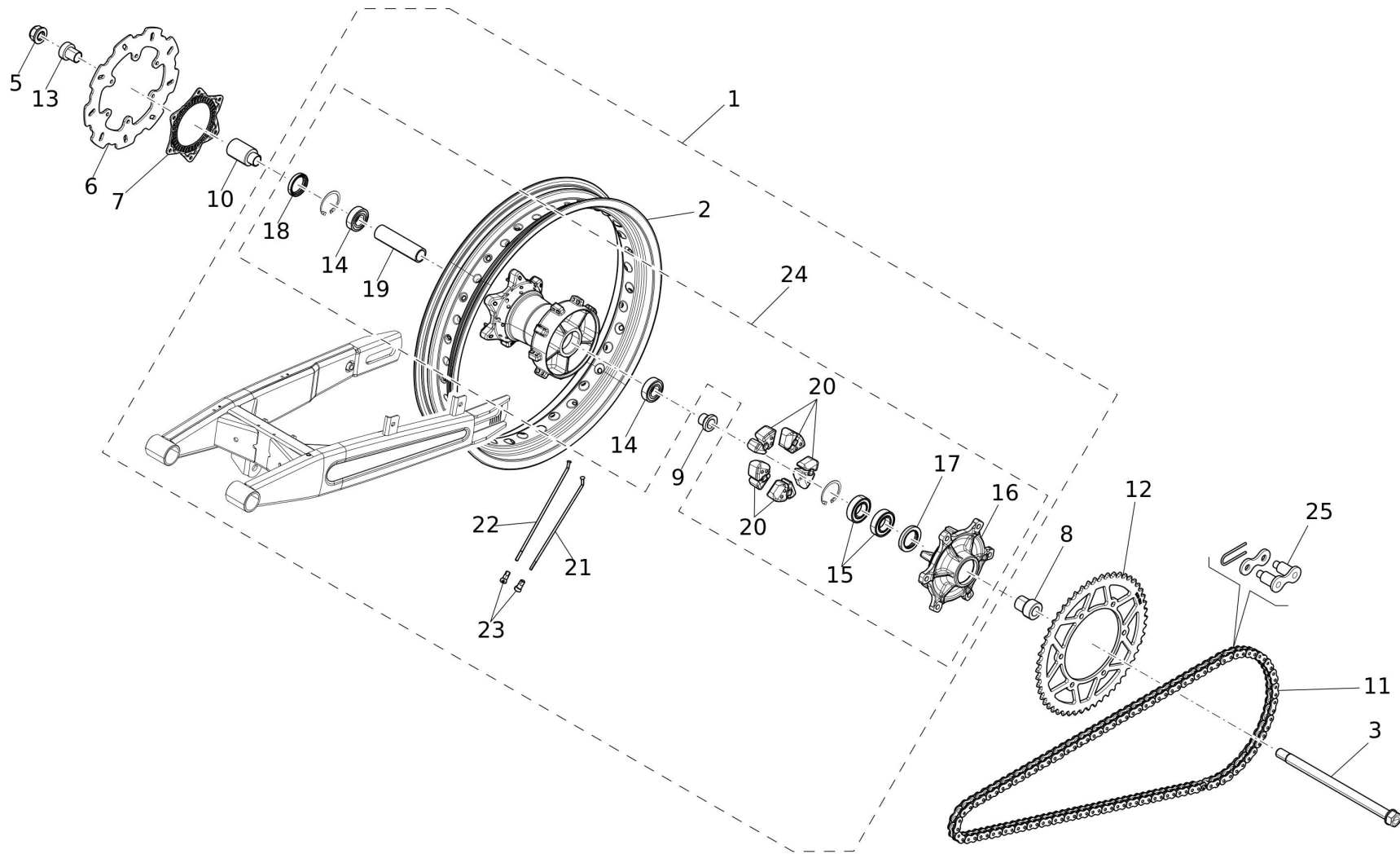
| #  | Code     | Beschreibung                             | Spezifikation | ME | Anz. |
|----|----------|--|---------------|----|------|
| 1  | 05272020 | FORCELLONE ACCIAIO FC 450 PREPARATO      |               | pz | 1    |
| 2  | 04513005 | PERNO FORCELLONE D17 CAB450              |               | pz | 1    |
| 3  | 04626005 | BLADE NUT M16X1.5 SELF-LOCKING ZB        |               | pz | 1    |
| 4  | 04406005 | BOCCOLA CUSCINETTO FORCELLONE CAB D17    |               | pz | 2    |
| 5  | 04663005 | THRUST FIFTH-WHEEL D26 TW24M             |               | pz | 1    |
| 6  | 05142005 | RALLA REGGISPINTA D28 TW24M              |               | pz | 1    |
| 7  | 04561005 | CUSCINETTO FORC. CAB HK-2520-2RS         |               | pz | 4    |
| 8  | 04453005 | CHAIN ??TENSIONER CAB 125 MY18 STEEL     | Motard        | pz | 2    |
| 9  | 04634005 | CHAIN ??ADJUSTMENT NUT                   |               | pz | 2    |
| 10 | 00124005 | BLACK CABLE GLAND FOR REAR BRAKE TUBE    |               | pz | 2    |
| 11 | 04379005 | BLACK CHAIN SLIDER CAB                   |               | pz | 1    |
| 12 | 04419005 | SWINGARM POW FASTENER CAB                |               | pz | 1    |
| 13 | 04398005 | CHAIN ??GUARD CAB                        |               | pz | 1    |
| 14 | 04378005 | REAR FLAP GUARD CAB                      |               | pz | 1    |
| 15 | 04523005 | LATERAL PLATE BUSHING D14 CAB            |               | pz | 2    |
| 16 | 05273020 | KIT LEVERAGGIO CAB                       |               | pz | 1    |
| 17 | 04982020 | CONNECTING ROD ASSEMBLY OVERHAUL KIT CAB |               | pz | 2    |
| 18 | 04628005 | CONNECTING ROD ASSEMBLY PIN CAB M12 L88  |               | pz | 2    |
| 19 | 04630005 | CONNECTING ROD ASSEMBLY PIN CAB M12 L121 |               | pz | 1    |
| 20 | 01390005 | GEFLANSCHTE MUTTER                       |               | pz | 3    |
| 21 | 04563005 | CABALLERO FC 125 SHOCK ABSORBER          |               | pz | 1    |
| 22 | 04813005 | UNIBALL GE-15-ES SHOCK ABSORBER CAB      |               | pz | 1    |
| 23 | 04512005 | UNIBALL SHOCK ABSORBER SPACER CAB        |               | pz | 2    |
| 24 | 04645005 | SHOCK ABSORBER OR RING CAB               |               | pz | 2    |



| #  | Code        | Beschreibung                             | Spezifikation | ME | Anz. |
|----|-------------|--|---------------|----|------|
| 1  | 04568005    | GAMBALI SWINGARM CABALLERO FC RH + SX    |               | pz | 1    |
| 2  | 05117005    | LOWER TRIPLE CLAMP + STEERING PIN CAB    |               | pz | 1    |
| 3  | 05118005    | UPPER TRIPLE CLAMP CAB                   |               | pz | 1    |
| 4  | 04478005    | HANDLEBAR SUPPORT CAB MY18               |               | pz | 2    |
| 5  | 00082005    | SWINGARM PLATE WATER GUARD DISC          |               | pz | 2    |
| 6  | 04866005    | WATER GUARD O-RING D39.7 - S3.53 NBR70   |               | pz | 2    |
| 7  | 00646005    | RING NUT M 25x1                          |               | pz | 2    |
| 8  | 04625005    | STEERING SLEEVE NUT M25X1                |               | pz | 1    |
| 9  | 04829005    | CABLE GLAND BRACKET CAB                  |               | pz | 1    |
| 10 | 00324005    | FRONT BRAKE RUBBER TUBE CABLE GLAND M6   |               | pz | 1    |
| 11 | 04311005    | AMBER CURVED PERFORMANCE REFLECTOR       |               | pz | 2    |
| 12 | 04534005    | LH SWINGARM FOOT CAB                     |               | pz | 1    |
| 13 | 04533005    | RH SWINGARM FOOT CAB                     |               | pz | 1    |
| 14 | F41GRT001   | GABELSTOPFEN OHNE REGULIERUNG SILBER     |               | pz | 2    |
| 15 | F41CEA001O  | SWINGARM LINING D41 CAB. GOLD OLLE       |               | pz | 2    |
| 16 | FPSS004     | SCHUTZRING GABEL                         |               | pz | 2    |
| 17 | F41PO001    | SIMMERRING D41 NOK                       |               | pz | 2    |
| 18 | FPSS002     | SEEGERRING DFIL 1,8                      |               | pz | 2    |
| 19 | F41RP001    | STAUBKAPPE                               |               | pz | 2    |
| 20 | F41CEB003C  | HYDRAULIC SIDE ROD SWINGARM D41 CAB OLLE |               | pz | 1    |
| 21 | FPSV004     | WASHER DU D43x53X2                       |               | pz | 2    |
| 22 | F41GRH009   | HYDRAULIC CARTRIDGE SWINGARM D41 OLLE CA |               | pz | 1    |
| 23 | F41GRE004   | SIDE ROD SPRING SWINGARM D41 OLLE CAB    |               | pz | 1    |
| 24 | F41GRB002   | STABLE SIDE SWINGARM D41 OLLE CAB        |               | pz | 1    |
| 25 | F41MC005    | SPRING K 1.5 KG / MM CAB                 |               | pz | 1    |
| 26 | FDUIN414515 | BUCHSE 41X45X15                          |               | pz | 4    |
| 27 | F41CIS001   | DISTANZSTUECK                            |               | pz | 2    |

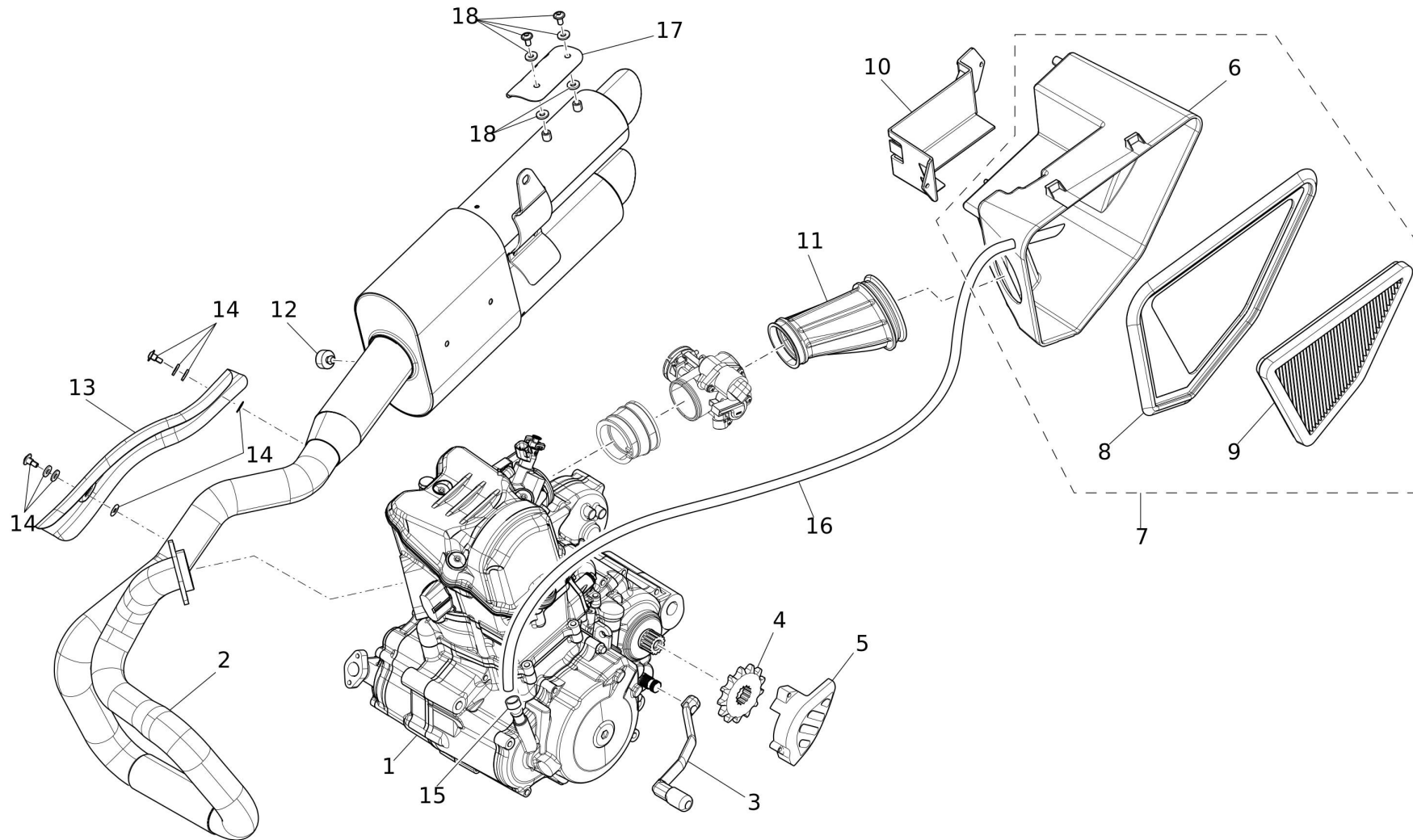


| #  | Code     | Beschreibung                             | Spezifikation | ME | Anz. |
|----|----------|--|---------------|----|------|
| 1  | 04703020 | FRONT SPOKED RIM CAB 450 SC-FT           |               | pz | 1    |
| 2  | 04933005 | FLAP COPRI NIPPLESS R 19 X 22            |               | pz | 1    |
| 3  | 04501005 | FRONT WHEEL HUB PIN CE CAB               |               | pz | 1    |
| 4  | 05126005 | FLOATING FRONT BRAKING DISC 320mm TH 5mm |               | pz | 1    |
| 5  | 04551005 | FRONT FONIC WHEEL CAB                    |               | pz | 1    |
| 6  | 04526005 | *es*DISTANZIALE RUOTA ANT SX CAB450      |               | pz | 1    |
| 7  | 04527005 | *ES*DISTANZIALE RUOTA ANT DX CAB450      |               | pz | 1    |
| 8  | 04434005 | FRONT WHEEL BEARING CAB 450              |               | pz | 2    |
| 9  | 05259005 | UPPER TRIPLE CLAMP MY19                  |               | pz | 1    |
| 10 | 04435005 | FRONT HUB INTERNAL SPACER CAB 450        |               | pz | 1    |
| 11 | 05258005 | UPPER TRIPLE CLAMP CASA MY19             |               | pz | 36   |
| 12 | 04499005 | NIPPLES D. 3,5mm FANTIC - CAB            |               | pz | 36   |
| 13 | 04485005 | FRONT HUB DUST COVER RING FANTIC CE      |               | pz | 2    |
| 14 | 04436020 | COMPLETE FRONT HUB CAB450                |               | pz | 1    |

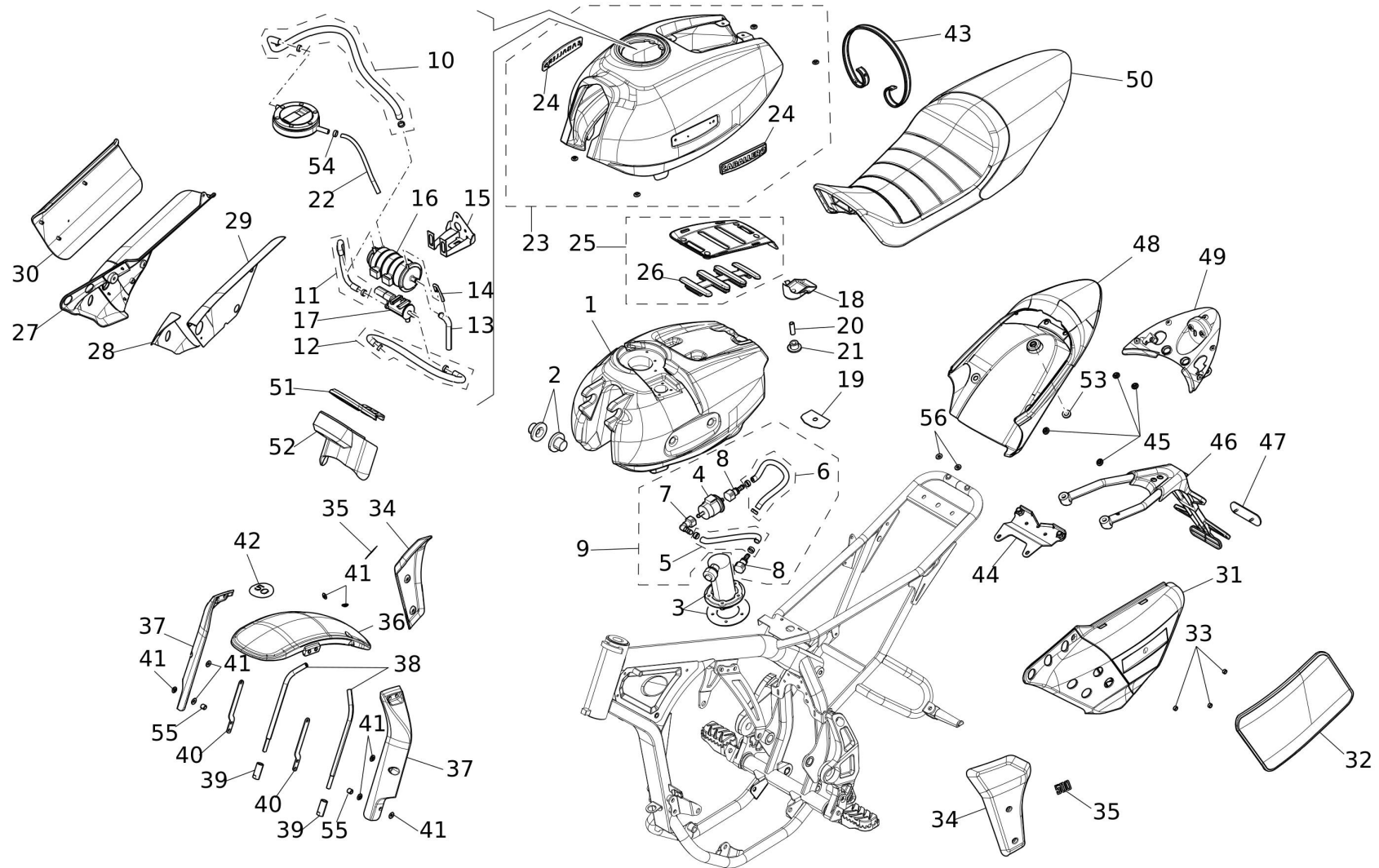


| #  | Code     | Beschreibung                            | Spezifikation | ME | Anz. |
|----|----------|---|---------------|----|------|
| 1  | 04705020 | REAR SPOKED RIM CAB 450 FT              |               | pz | 1    |
| 2  | 04850005 | FLAP COVER NIPPLESS R 19 X 30           |               | pz | 1    |
| 3  | 04515005 | PERNO RUOTA POST CAB450                 |               | pz | 1    |
| 4  | 04953005 | DISTANZIALE PERNO RUOTA POST PERF MY18  |               | pz | 1    |
| 5  | 04626005 | BLADE NUT M16X1.5 SELF-LOCKING ZB       |               | pz | 1    |
| 6  | 04518005 | REAR DISC BRAKE 230 SP4 CAB 125/250/500 |               | pz | 1    |
| 7  | 04552005 | REAR PHONIC WHEEL CAB                   |               | pz | 1    |
| 8  | 04524005 | DISTANZIALE RUOTA POST SX CAB450        |               | pz | 1    |
| 9  | 04528005 | DISTANZIALE PARASTRAPPI CAB450          |               | pz | 1    |
| 10 | 04525005 | DISTANZIALE RUOTA POST DX CAB450        |               | pz | 1    |
| 11 | 05278005 | CATENA 520 112 MAGLIE FT APERTA         |               | pz | 1    |
| 12 | 05130005 | CORONA 520 Z=52 CAB 450 FT              |               | pz | 1    |
| 13 | 04521005 | BRAKE SPACER SUPPORT BYBRE              |               | pz | 1    |
| 14 | 04424005 | REAR HUB BEARING CAB 450                |               | pz | 2    |
| 15 | 04425005 | REAR DAMPER BEARING CAB                 |               | pz | 2    |
| 16 | 04421005 | REAR WHEEL DAMPER PLATE CAB 450         |               | pz | 1    |
| 17 | 04426005 | REAR WHEEL DUST SEAL 32x47x7 CAB        |               | pz | 1    |
| 18 | 04427005 | REAR WHEEL DUST SEAL 32x42x7 CAB        |               | pz | 1    |
| 19 | 04428005 | REAR HUB INTERNAL SPACER CAB 450        |               | pz | 1    |
| 20 | 04422005 | GOMMA PARASTRAPPI RUOTA POST CAB        |               | pz | 5    |
| 21 | 05280005 | CHAIN SIDE REAR SPOKE CAB 450 FT        |               | pz | 18   |
| 22 | 05281005 | DISC SIDE REAR SPOKE CAB 450 FT         |               | pz | 18   |
| 23 | 05276005 | SPOKE NIPPLE d.4mm CAB 450              |               | pz | 36   |
| 24 | 04432020 | COMPLETE REAR HUB CAB450                |               | pz | 1    |
| 25 | 05330005 | MAGLIA GIUNTO CATENA 520 CAB250-450     |               | pz | 1    |



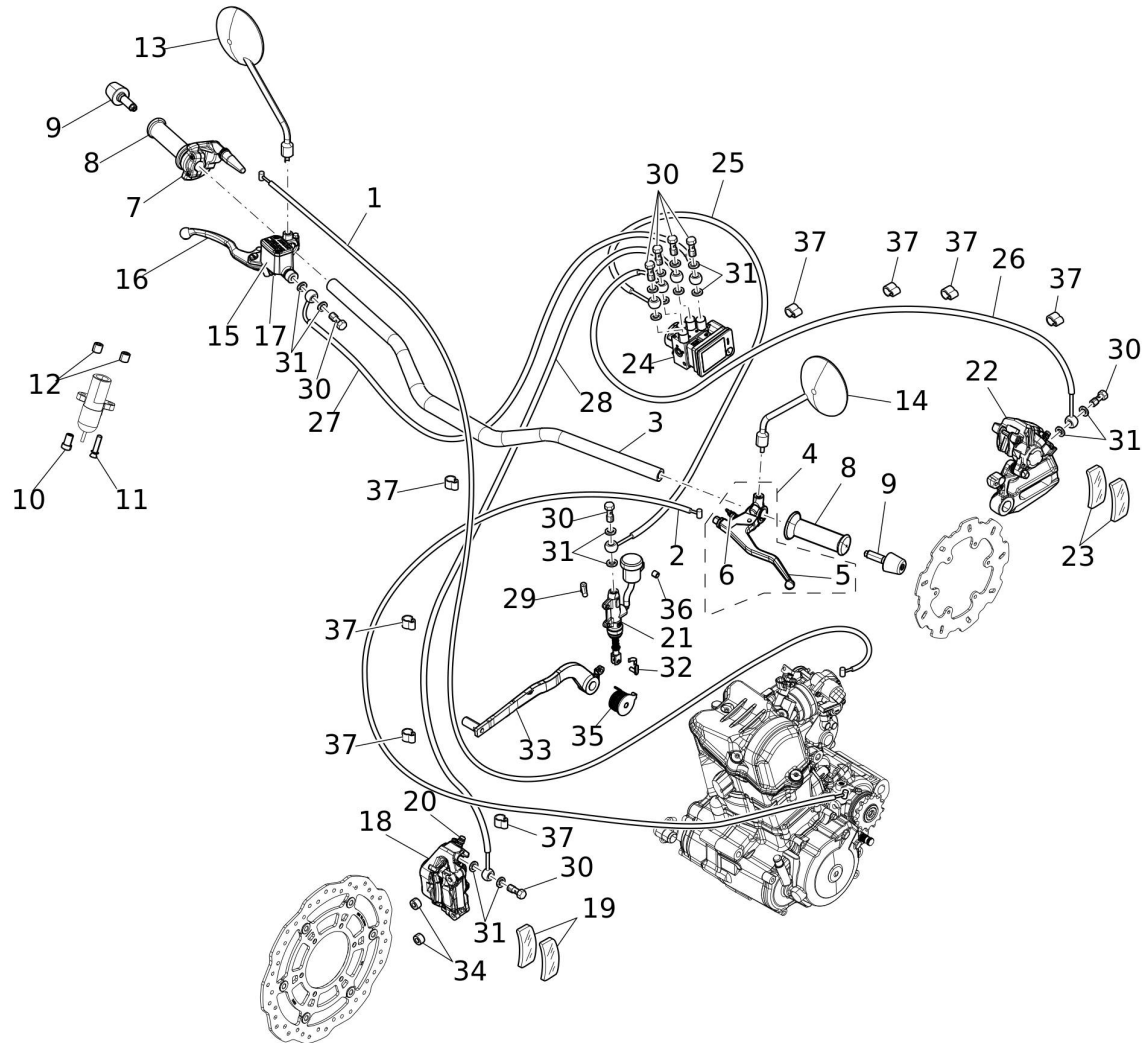


| #  | Code     | Beschreibung                            | Spezifikation | ME | Anz. |
|----|----------|---|---------------|----|------|
| 1  | 04085005 | COMPLETE ENGINE NC450                   |               | pz | 1    |
| 2  | 04834005 | SCARICO COMPLETO FC 450 CAB             |               | pz | 1    |
| 3  | 04836005 | GEAR SHIFT PEDAL CAB 250/450            |               | pz | 1    |
| 4  | 05131005 | PIGNONE SILENZIOSO NC450 Z=13           |               | pz | 1    |
| 5  | 05064005 | BACK PART L.CRANKCASE COVER             |               | pz | 1    |
| 6  | 04359005 | FILTER CASING BODY CAB                  |               | pz | 1    |
| 7  | 04743020 | ASSEMBLED FILTER CASING CAB             |               | pz | 1    |
| 8  | 04361005 | AIR FILTER SUPPORT WITH GASKET CAB      |               | pz | 1    |
| 9  | 04415005 | AIR FILTER CAB                          |               | pz | 1    |
| 10 | 04362005 | BATTERY FIXING BRACKET CAB              |               | pz | 1    |
| 11 | 04365005 | MANICOTTO CASSA FILTRO CAB 500          |               | pz | 1    |
| 12 | 05199005 | TAMPONE GOMMA BLU SCARICO CAB 450       |               | pz | 1    |
| 13 | 05086005 | PROTEZIONE CALORE MARMITTA CAB 450      |               | pz | 1    |
| 14 | 05254020 | KIT RONDELLE PROT SCARICO CAB 250/450   |               | pz | 1    |
| 15 | 05092005 | FASCETTA FBS 18/12 TUBO BLOW-BY         |               | pz | 1    |
| 16 | 04083005 | PIPE ROLLER BLACK                       |               | cm | 1    |
| 17 | 05027005 | PROTEZIONE SILENZIATORE CAB FT GREZZA   |               | pz | 1    |
| 18 | 05255020 | KIT RONDELLE PROT SILENZ CAB FT 250/450 |               | pz | 1    |

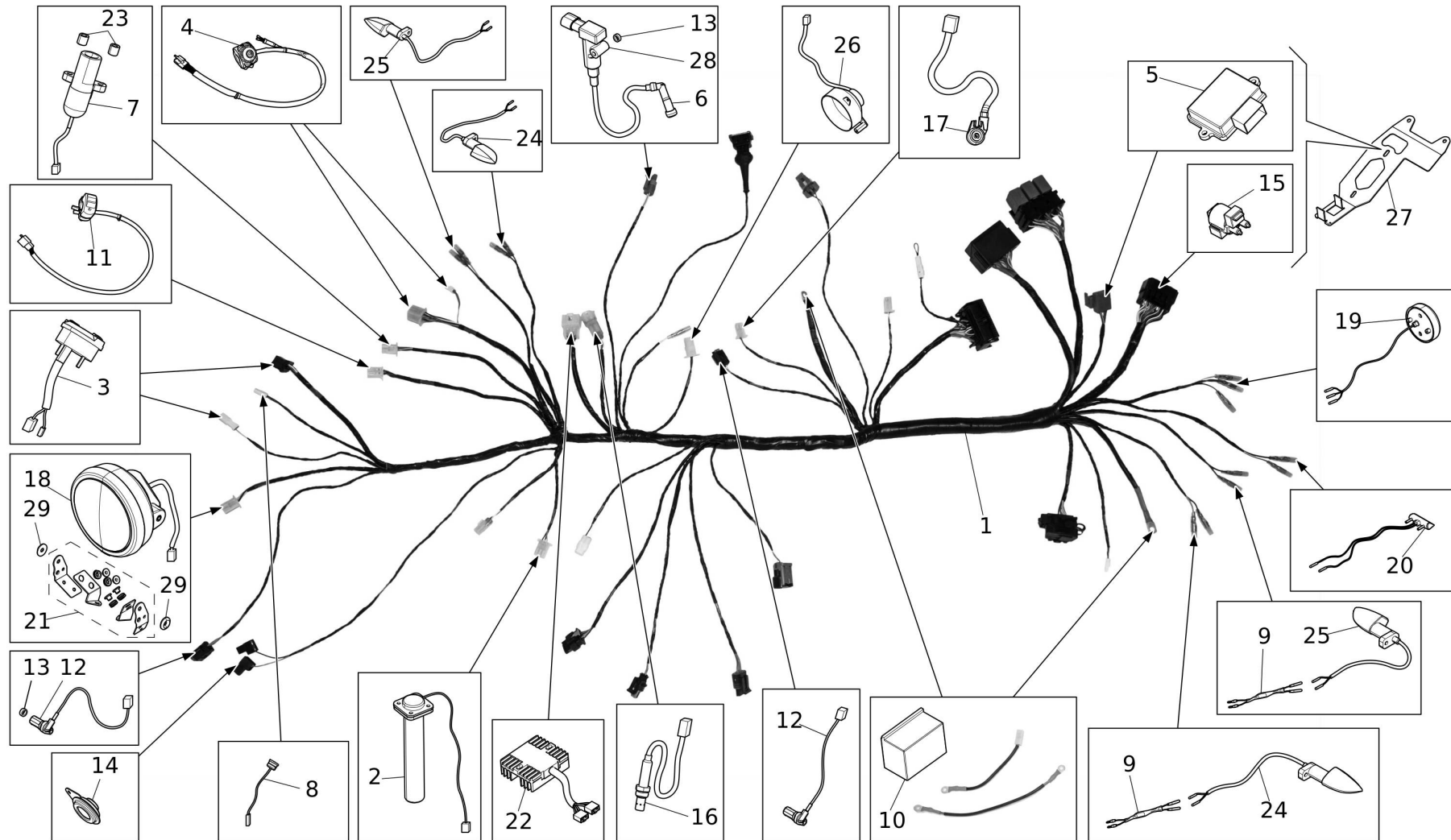


| #  | Code       | Beschreibung                           | Spezifikation | ME | Anz. |
|----|------------|--|---------------|----|------|
| 1  | 05013005   | SERBATOIO BENZINA CAB 250/450          |               | pz | 1    |
| 2  | 04400005   | TANK PIN GROMMET CAB                   |               | pz | 2    |
| 3  | 04748005   | FUEL PUMP CAB                          |               | pz | 1    |
| 4  | 05270020   | KIT FILTRO BENZINA MOTORE NC250/NC450  |               | pz | 1    |
| 5  | 05286020   | KIT TUBO SERBATOIO-FILTRO CAB450       |               | pz | 1    |
| 6  | 05287020   | KIT TUBO FILTRO-INIETTORE CAB450       |               | pz | 1    |
| 7  | 05067005   | 90                                     |               | pz | 1    |
| 8  | 05269005   | STRAIGHT QUICK CONNECTOR               |               | pz | 2    |
| 9  | 05282020   | KIT ALIMENTAZIONE BENZINA CAB 450      |               | pz | 1    |
| 10 | 05283020   | KIT TUBO SERBATOIO-CANISTER CAB450     |               | pz | 1    |
| 11 | 05284020   | KIT TUBO CANISTER-PURGE CAB450         |               | pz | 1    |
| 12 | 05285020   | KIT TUBO PURGE-COLLETTORE CAB450       |               | pz | 1    |
| 13 | NC450-0065 | PIPE ASSY                              |               | pz | 1    |
| 14 | 04792005   | TUBO GOMMA NBR 3X6                     |               | cm | 1    |
| 15 | 04741005   | STAFFA CANISTER CAB 450                |               | pz | 1    |
| 16 | NC450-0151 | CANISTER NC450                         |               | pz | 1    |
| 17 | NC450-0155 | CANISTER PURGE VALVE NC450             |               | pz | 1    |
| 18 | 04402005   | SADDLE HOOK CAB                        |               | pz | 1    |
| 19 | 04956005   | SADDLE FIXING GROMMET CAB              |               | pz | 1    |
| 20 | 04564005   | TANK SCREW SPACER CAB                  |               | pz | 1    |
| 21 | 04638005   | TANK REAR GROMMET CAB                  |               | pz | 1    |
| 22 | 04082005   | PIPE ROLLER BLACK                      |               | cm | 1    |
| 23 | 04972020   | TANK COVER BLACK WITH WORDING CAB      |               | pz | 1    |
| 24 | 04401005   | CABALLERO RH-LH WORDING CAB            |               | pz | 1    |
| 25 | 04974020   | TANK PLATE COMPLETE WITH GASKETS       |               | pz | 1    |
| 26 | 04973020   | KIT OF GASKETS FOR FUEL TANK PLATE CAB |               | pz | 1    |
| 27 | 04747020   | ASSEMBLED RH SIDE PANEL CAB            |               | pz | 1    |
| 28 | 04847005   |  |               | pz | 1    |
| 29 | 04846005   |  |               | pz | 1    |
| 30 | 04371005   | RECTANGULAR RH NUMBER PLATE CAB        |               | pz | 1    |
| 31 | 04855020   | ASSEMBLED FILTER CASING COVER CAB      |               | pz | 1    |
| 32 | 04372005   | RECTANGULAR LH NUMBER HOLDER CAB       |               | pz | 1    |
| 33 | 00766005   | BUCHSE KOTFLUEGEL VORNE 4,5            |               | pz | 3    |
| 34 | 04975020   | LH + RH CONVEYOR KIT CABALLERO         |               | pz | 1    |
| 35 | 05089005   | KIT ADESIVI PRESPAZIATI 500 CAB CROMO  |               | pz | 1    |
| 36 | 04835005   | FRONT FENDER CAB FT PAINTED MATT BLACK |               | pz | 1    |
| 37 | 04976020   | LH + RH FRONT FENDER LATERAL KIT CAB   |               | pz | 1    |
| 38 | 04679005   | FENDER SUPPORT ROD CAB                 |               | pz | 2    |
| 39 | 04724005   | BRAKE LEVER ROD CAB                    |               | pz | 2    |
| 40 | 04680005   | FENDER CONNECTION BRACKET CAB          |               | pz | 2    |

| #  | Code     | Beschreibung                           | Spezifikation | ME | Anz. |
|----|----------|--|---------------|----|------|
| 41 | 00340005 | WASHER-SPACE                           |               | pz | 8    |
| 42 | 04919005 | STICKER FANTIC 50YEARS GOLD            |               | pz | 2    |
| 43 | 04922005 | CINGHIA SELLA FLAT TRACK CAB           |               | pz | 1    |
| 44 | 04683005 | PLATE FOR LICENSE PLATE HOLDER CAB ft  |               | pz | 1    |
| 45 | 04686005 | RONDELLA M6 CON COLLARINO H3           |               | pz | 4    |
| 46 | 05288020 | KIT PORTATARGA CAB PA6                 |               | pz | 1    |
| 47 | 03990005 | RED RECTANGULAR REFLECTOR              |               | pz | 1    |
| 48 | 04373005 | FLAT TRACK TAIL CAB PAINTED BLACK MATT |               | pz | 1    |
| 49 | 04376002 | REAR FENDER COVER CAB FT MATT BLACK    |               | pz | 1    |
| 50 | 04464005 | FLAT TRACK SADDLE CAB                  |               | pz | 1    |
| 51 | 04390005 | SUPPORTO CRUSCOTTO CAB VERN ALLUMINIO  |               | pz | 1    |
| 52 | 04391005 | DASHBOARD SUPPORT COVER CAB            |               | pz | 1    |
| 53 | 03944005 | ALUMINUM BUSHING                       |               | pz | 1    |
| 54 | 01689005 | CLICR 96-120 CLAMP FOR RADIATOR        |               | pz | 1    |
| 55 | 05062005 | DISTANZIALE d6 x h9                    |               | pz | 2    |

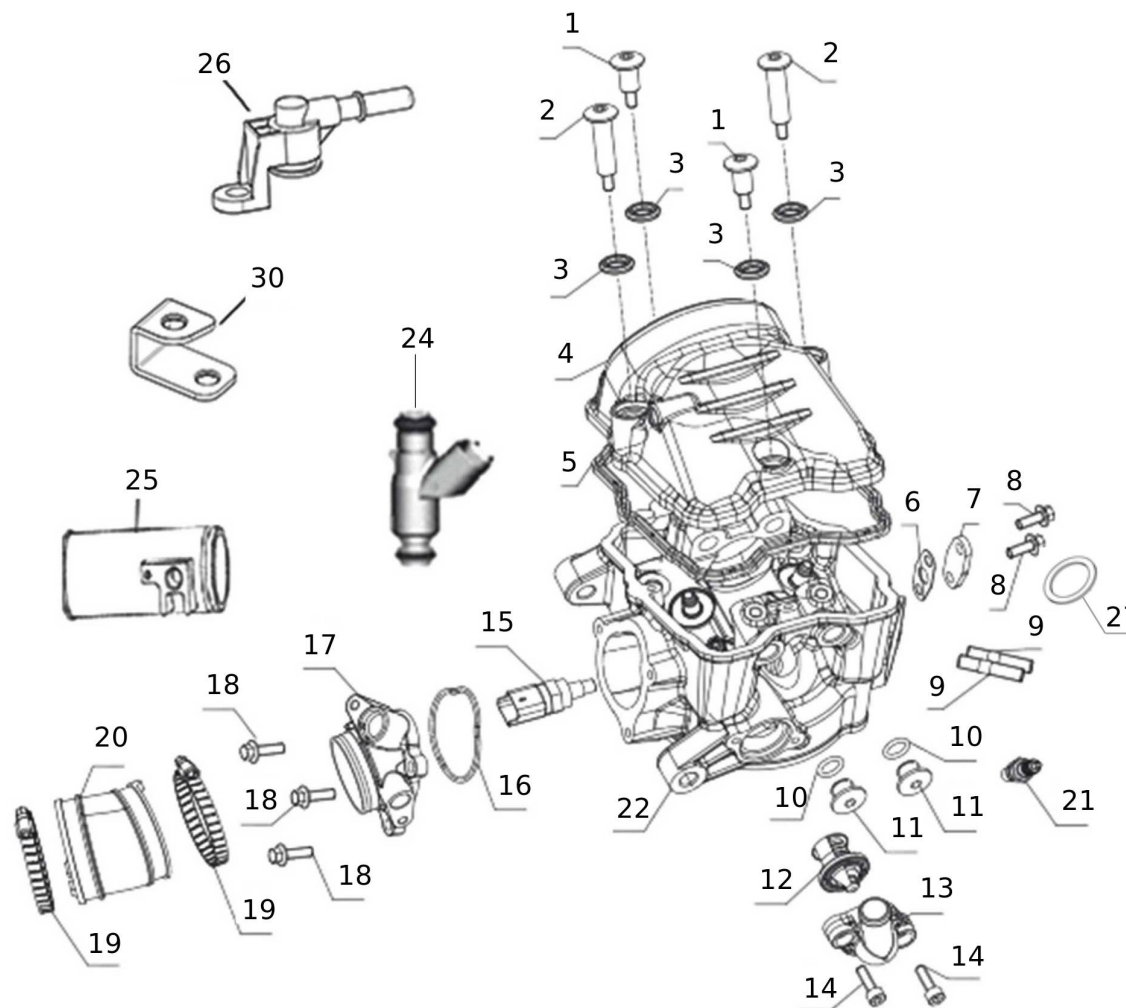


| #  | Code     | Beschreibung                             | Spezifikation | ME | Anz. |
|----|----------|--|---------------|----|------|
| 1  | 04807005 | CAVO GAS CAB 250-450                     |               | pz | 1    |
| 2  | 05198005 | KUPPLUNGSZUG 250                         |               | pz | 1    |
| 3  | 04676005 | BLACK HANDLEBAR CAB                      |               | pz | 1    |
| 4  | 05190005 | CLUTCH LEVER CONTROL FC450               |               | pz | 1    |
| 5  | 05291005 | LEVA FRIZIONE NERA CAB. 450              |               | pz | 1    |
| 6  | 00945005 | SICHERHEITSSCHALTER 125                  |               | pz | 1    |
| 7  | 04840005 | THROTTLE CONTROL FC450                   |               | pz | 1    |
| 8  | 05289005 | MANOPOLE NERE FORATE COPPIA              |               | pz | 1    |
| 9  | 05290020 | KIT CONTRAPPEO MANUBRIO CAB              |               | pz | 2    |
| 10 | 04092005 | BUCHSE                                   |               | pz | 1    |
| 11 | 04636005 | TEAR-OFF SCREW 8X30                      |               | pz | 1    |
| 12 | 04554005 | SWITCH SPACER CAB                        |               | pz | 2    |
| 13 | 00222005 | RUECKSPIEGEL                             |               | pz | 1    |
| 14 | 04776005 | REAR-VIEW MIRROR CAB LH THREAD           |               | pz | 1    |
| 15 | 04594005 | FRONT BRAKE PUMP BYBRE                   |               | pz | 1    |
| 16 | 04968005 | FRONT BRAKE LEVER BYBRE FIXED            |               | pz | 1    |
| 17 | 04989005 | FRONT STOP SWITCH CAB.                   |               | pz | 1    |
| 18 | 04592005 | FRONT BRAKE CALLIPER BYBRE GOLD          |               | pz | 1    |
| 19 | 04965005 | FRONT BRAKE PADS BREMBO SYNT. TT2910     |               | pz | 2    |
| 20 | 04990005 | FRONT BRAKE CALLIPER BLEED SCREW CAB.    |               | pz | 1    |
| 21 | 04595005 | REAR BRAKE PUMP COMPLETE BYBRE           |               | pz | 1    |
| 22 | 04593020 | REAR BRAKE CALLIPER BYBRE GOLD FINISHED  |               | pz | 1    |
| 23 | 04966005 | REAR BRAKE PADS BYBRE ORGANIC            |               | pz | 1    |
| 24 | 04970005 | ABS CONTROL UNIT CAB. FT PROGRAMMED      |               | pz | 1    |
| 25 | 04603005 | REAR BRAKE TUBE CAB PUMP - ABS CONTROL U |               | pz | 1    |
| 26 | 04604005 | REAR BRAKE TUBE CAB ABS CONTROL UNIT - C |               | pz | 1    |
| 27 | 04605005 | FRONT BRAKE TUBE CAB PUMP - ABS CONTROL  |               | pz | 1    |
| 28 | 04606005 | FRONT BRAKE TUBE CAB ABS CONTROL UNIT -  |               | pz | 1    |
| 29 | 02112005 | STOPSCHALTER HINTEN                      |               | pz | 1    |
| 30 | 00271005 | BRAKING SYSTEM LOADING SCREW             |               | pz | 7    |
| 31 | 00270005 | DICHTUNG BREMSLEITUNG                    |               | pz | 16   |
| 32 | 04931005 | REAR BRAKE PUMP CLOSING CLIP             |               | pz | 1    |
| 33 | 04984020 | REAR BRAKE PEDAL KIT CAB                 |               | pz | 1    |
| 34 | 04545005 | FRONT BRAKE CALLIPER SPACER CAB          |               | pz | 2    |
| 35 | 05257020 | KIT MOLLA TORSIONALE PEDALE FRENO CAB    |               | pz | 1    |
| 36 | 05062005 | DISTANZIALE d6 x h9                      |               | pz | 1    |
| 37 | 04935005 | FERMACAVO NERO A DOPPIA SEDE             |               | pz | 8    |

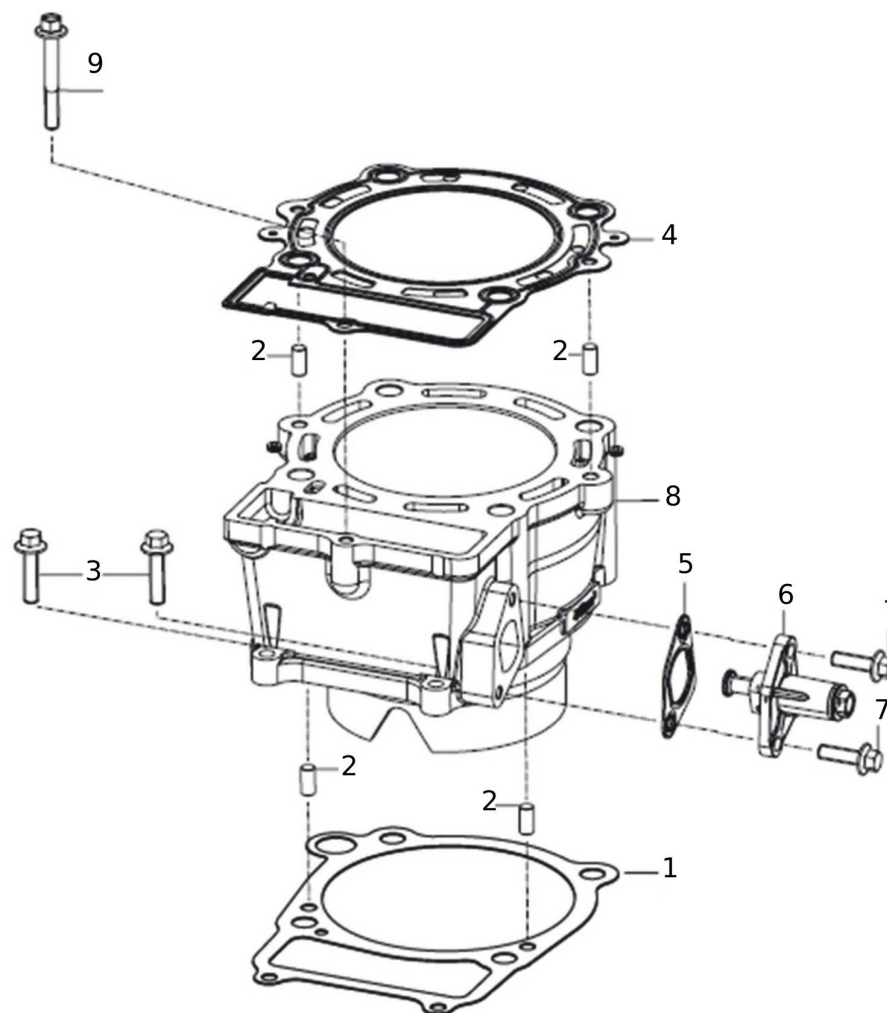




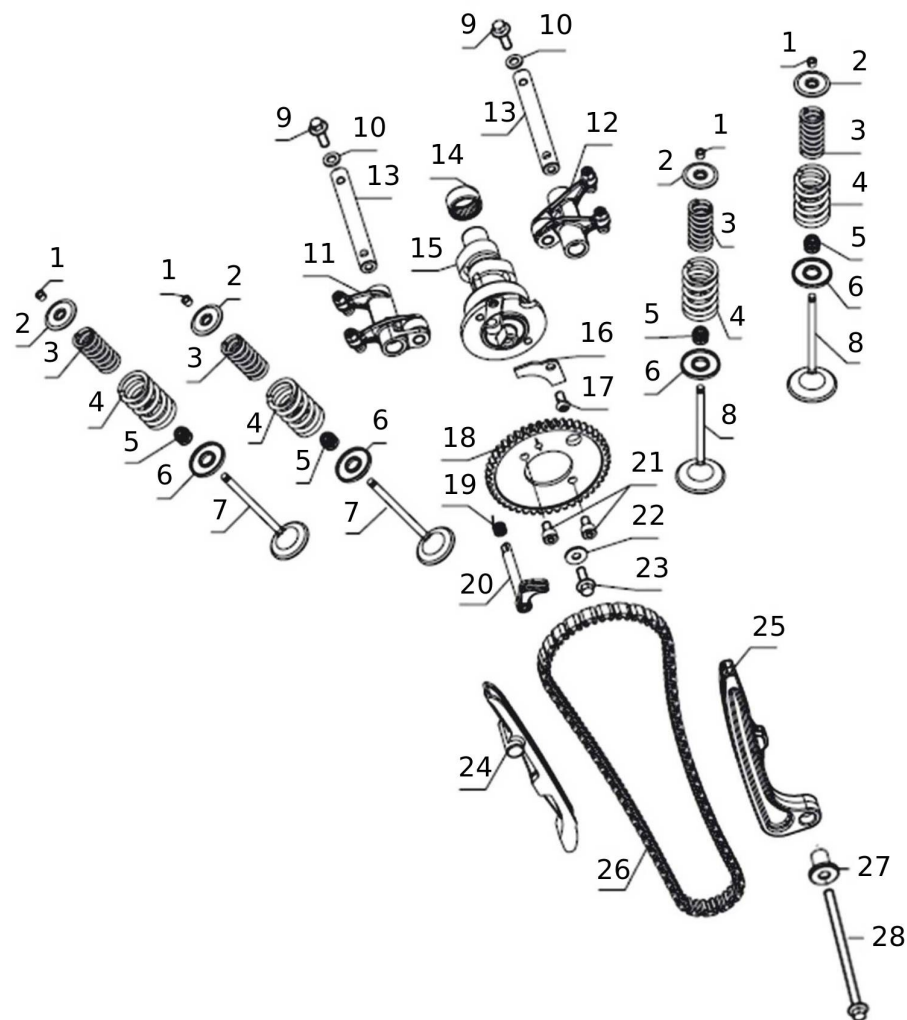
| #  | Code       | Beschreibung                             | Spezifikation | ME | Anz. |
|----|------------|--|---------------|----|------|
| 1  | 04755005   | CABLAGGIO CAB 450 EURO4                  |               | pz | 1    |
| 2  | 04641005   | FUEL LEVEL PROBE CAB                     |               | pz | 1    |
| 3  | 04417005   | INSTRUMENT CABALLERO                     |               | pz | 1    |
| 4  | 04642005   | LIGHTS DEVICE WITH ABS WARNING LIGHT CAB |               | pz | 1    |
| 5  | 04908005   | ECU 250-450 EURO4                        |               | pz | 1    |
| 6  | NC450-0153 | SPARK PLUG CAP                           |               | pz | 1    |
| 7  | 04416005   | COMPLETE KEY BLOCK KIT CAB               |               | pz | 1    |
| 8  | 04644005   | FUEL RESERVE WARNING LIGHT CAB           |               | pz | 1    |
| 9  | 04936005   | DIRECTION INDICATORS RESISTANCE CAB      |               | pz | 2    |
| 10 | 04079005   | BATTERY (WITHOUT MAINTENANCE) 8A         |               | pz | 1    |
| 11 | 04643005   | IGNITION DEVICE CAB                      |               | pz | 1    |
| 12 | 04414005   | SPEED SENSOR CABALLERO                   |               | pz | 2    |
| 13 | 00766005   | BUCHSE KOTFLUEGEL VORNE 4,5              |               | pz | 1    |
| 14 | 00898005   | HUPE                                     |               | pz | 1    |
| 15 | 05267005   | RELAIS ANLASSER 250-450 30A              |               | pz | 1    |
| 16 | 05213005   | LAMBDA SENSOR E4 FC250-450/TL250         |               | pz | 1    |
| 17 | 04597005   | KICKSTAND ROTATION SENSOR CAB            |               | pz | 1    |
| 18 | 05212005   | HEADLIGHT CAB EVO                        |               | pz | 1    |
| 19 | 04598005   | TAIL LIGHT CABALLERO                     |               | pz | 1    |
| 20 | 04640005   | LICENSE PLATE LIGHT CAB                  |               | pz | 1    |
| 21 | 05262020   | KIT STAFFE SUPPORTO FANALE               |               | pz | 1    |
| 22 | NC450-0152 | RECTIFIER                                |               | pz | 1    |
| 23 | 04554005   | SWITCH SPACER CAB                        |               | pz | 2    |
| 24 | 01374005   | BLINKER                                  |               | pz | 2    |
| 25 | 01375005   | BLINKER                                  |               | pz | 2    |
| 26 | 04157005   | LUEFTER TL250                            |               | pz | 1    |
| 27 | 04923005   | ELECTRONIC COMPONENTS SUPPORT (FLAT TRAC |               | pz | 1    |
| 28 | NC250-0263 | IGNITION COIL NC250/NC450                |               | pz | 1    |
| 29 | 03944005   | ALUMINUM BUSHING                         |               | pz | 2    |



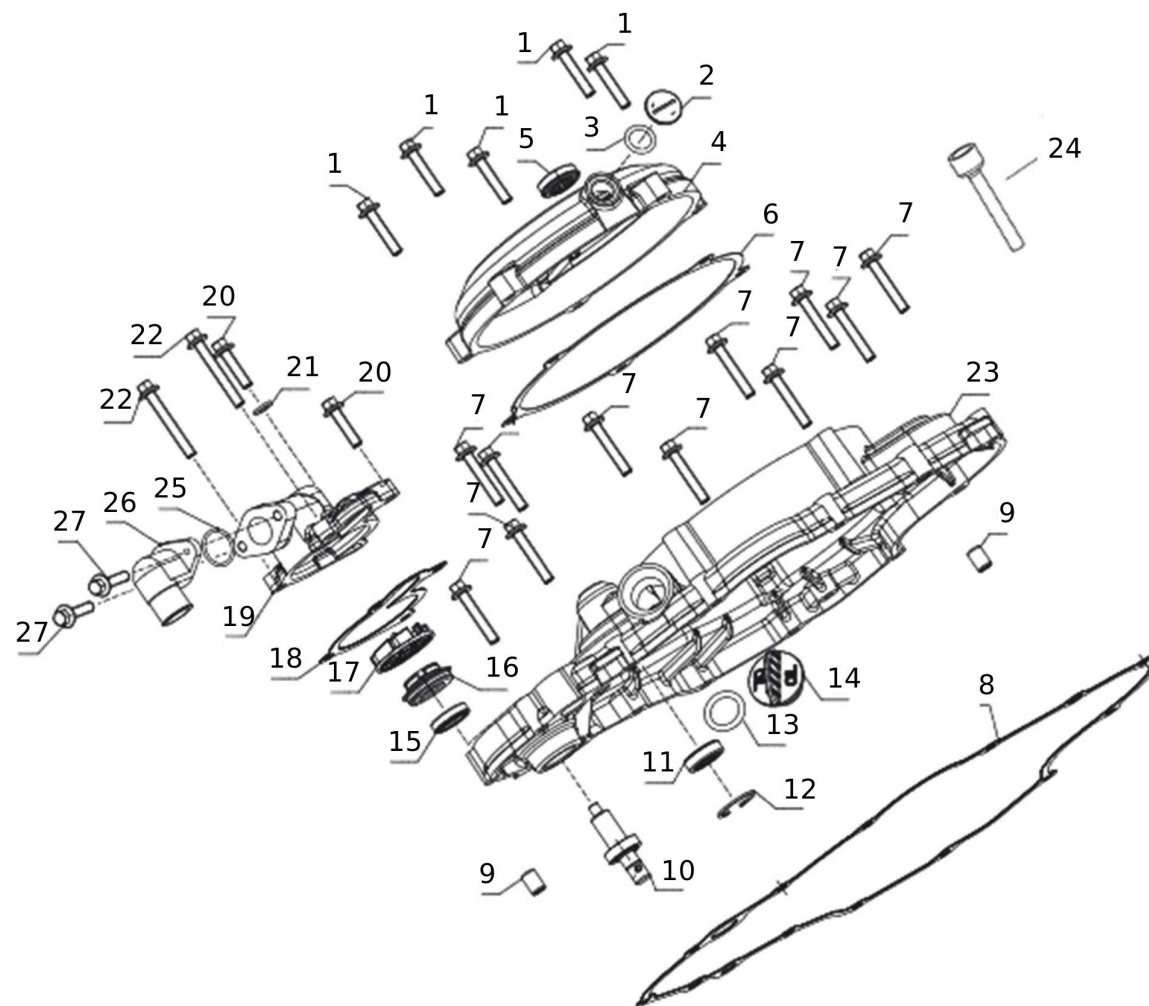
| #  | Code       | Beschreibung                           | Spezifikation | ME | Anz. |
|----|------------|--|---------------|----|------|
| 1  | NC450-0001 | SCREW                                  |               | pz | 2    |
| 2  | NC450-0002 | SCREW                                  |               | pz | 2    |
| 3  | NC450-0003 | TELLERSCHEIBE                          |               | pz | 4    |
| 4  | NC450-0004 | UPPER COVER CYLINDER HEAD              |               | pz | 1    |
| 5  | NC450-0005 | SEAL RING OF UPPER COVER CYLINDER HEAD |               | pz | 1    |
| 6  | NC450-0006 | PAPER GASKET                           |               | pz | 1    |
| 7  | NC450-0007 | INTAKE COVER BOARD                     |               | pz | 1    |
| 8  | NC250-0024 | BOLT M6                                |               | pz | 2    |
| 9  | NC450-0008 | BOLT M8                                |               | pz | 2    |
| 10 | NC250-0009 | O-RING 11.8                            |               | pz | 2    |
| 11 | NC250-0010 | CAP                                    |               | pz | 2    |
| 12 | NC450-0009 | THERMOSTAT ASSY                        |               | pz | 1    |
| 13 | NC450-0010 | THERMOSTAT COVER                       |               | pz | 1    |
| 14 | NC450-0011 | BOLT M8                                |               | pz | 2    |
| 15 | NC450-0012 | TEMPERATURE SENSOR OF COOLING FLUID    |               | pz | 1    |
| 16 | NC450-0013 | INLET PIPE SEALING RING                |               | pz | 1    |
| 17 | NC450-0014 | INLET PIPE                             |               | pz | 1    |
| 18 | NC250-0032 | BOLT M6                                |               | pz | 3    |
| 19 | NC450-0015 | CLAMP INLET PIPE                       |               | pz | 2    |
| 20 | NC450-0016 | INLET PIPE CONNECTOR                   |               | pz | 1    |
| 21 | 05250005   | SPARK PLUG NGK ER9EH-6N                |               | pz | 1    |
| 22 | NC450-0017 | TESTATA                                |               | pz | 1    |
| 23 | NC450-0018 | PRESSURE SENSOR INTAKE AIR             |               | pz | 1    |
| 24 | NC450-0019 | FUEL INJECTOR NC450                    |               | pz | 1    |
| 25 | NC450-0020 | THROTTLE BODY NC450                    |               | pz | 1    |
| 26 | 05203005   | SUPPORTO INIETTORE CAB 450             |               | pz | 1    |
| 27 | NC450-0021 | EXHAUST GASKET                         |               | pz | 1    |
| 28 | NC250-0007 | SCHEIBE 6.5X1.5X12                     |               | pz | 1    |
| 29 | NC450-0158 | BOLT M6                                |               | pz | 1    |
| 30 | 05249005   | STAFFA SUPPORTO INIETTORE CAB 450      |               | pz | 1    |



| # | Code       | Beschreibung              | Spezifikation | ME | Anz. |
|---|------------|---------------------------|---------------|----|------|
| 1 | NC450-0022 | GASKET CYLINDER BLOCK     |               | pz | 1    |
| 2 | NC250-0037 | PIN 6                     |               | pz | 4    |
| 3 | NC450-0023 | BOLT M6                   |               | pz | 2    |
| 4 | NC450-0024 | GASKET ASSY CYLINDER HEAD |               | pz | 1    |
| 5 | NC250-0034 | GASKET TENSIONER          |               | pz | 1    |
| 6 | NC250-0033 | PLUG OF TIGHTENER         |               | pz | 1    |
| 7 | NC250-0032 | BOLT M6                   |               | pz | 2    |
| 8 | NC450-0025 | CYLINDER BLOCK ASSEMBLY   |               | pz | 1    |
| 9 | NC450-0098 | BOLT M6                   |               | pz | 1    |

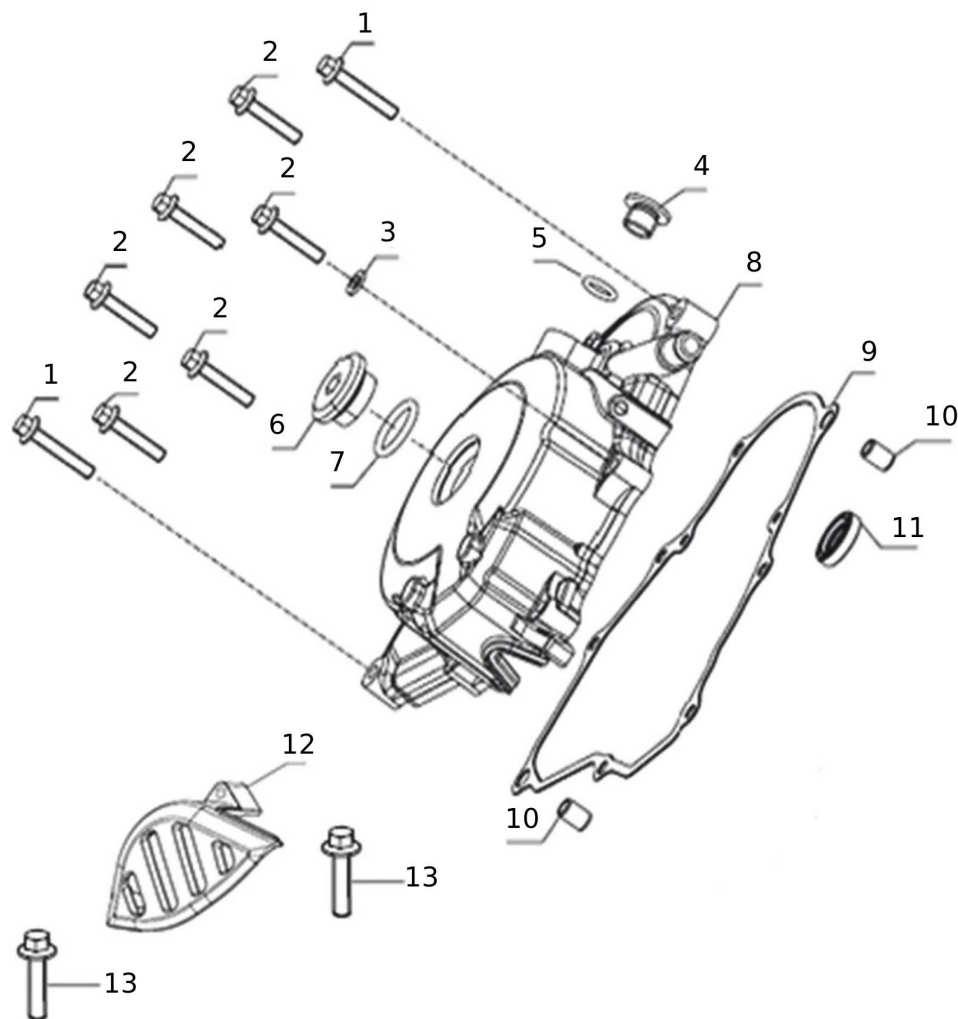


| #  | Code       | Beschreibung                  | Spezifikation | ME | Anz. |
|----|------------|-------------------------------|---------------|----|------|
| 1  | NC250-0038 | VALVE LOCKER                  |               | pz | 8    |
| 2  | NC450-0026 | SPRING SEAT                   |               | pz | 4    |
| 3  | NC450-0027 | VALVE INNER SPRING            |               | pz | 4    |
| 4  | NC450-0028 | VALVE OUTER SPRING            |               | pz | 4    |
| 5  | NC250-0041 | SEAL VALVE STEM               |               | pz | 4    |
| 6  | NC450-0029 | OUTER VALVE SPRING RETAINER   |               | pz | 4    |
| 7  | NC450-0030 | EXHAUST VALVE                 |               | pz | 2    |
| 8  | NC450-0031 | INTAKE VALVE                  |               | pz | 2    |
| 9  | NC450-0032 | BOLT M6                       |               | pz | 2    |
| 10 | NC250-0007 | SCHEIBE 6.5X1.5X12            |               | pz | 2    |
| 11 | NC450-0033 | ROCKER ARM ASSEMBLY VALVE     |               | pz | 1    |
| 12 | NC450-0034 | ROCKER ARM ASSEMBLY VALVE     |               | pz | 1    |
| 13 | NC450-0035 | ROCKER SHAFT                  |               | pz | 2    |
| 14 | NC450-0036 | NEEDLE BEARING HK1812-B       |               | pz | 1    |
| 15 | NC450-0037 | GAMP SHAFT COMP               |               | pz | 1    |
| 16 | NC450-0038 | STOP PLATE CAMSHAFT           |               | pz | 1    |
| 17 | NC450-0039 | BOLT M6                       |               | pz | 1    |
| 18 | NC450-0040 | KETTENRAD STEUERKETTE         |               | pz | 1    |
| 19 | NC450-0041 | CAMSHAFT DECOMPRESSION SPRING |               | pz | 1    |
| 20 | NC450-0042 | CENTRIFUGAL MASS ASSY         |               | pz | 1    |
| 21 | NC250-0023 | BOLT M6                       |               | pz | 2    |
| 22 | NC250-0057 | SCHEIBE 6.5X1.5X12            |               | pz | 1    |
| 23 | NC250-0024 | BOLT M6                       |               | pz | 1    |
| 24 | NC450-0043 | GUIDE PLATE CHAIN             |               | pz | 1    |
| 25 | NC450-0044 | TENSION PLATE ASSY            |               | pz | 1    |
| 26 | NC450-0045 | TIMING CHAIN                  |               | pz | 1    |
| 27 | NC450-0046 | BUCHSE                        |               | pz | 1    |
| 28 | NC450-0047 | BOLT M6                       |               | pz | 1    |



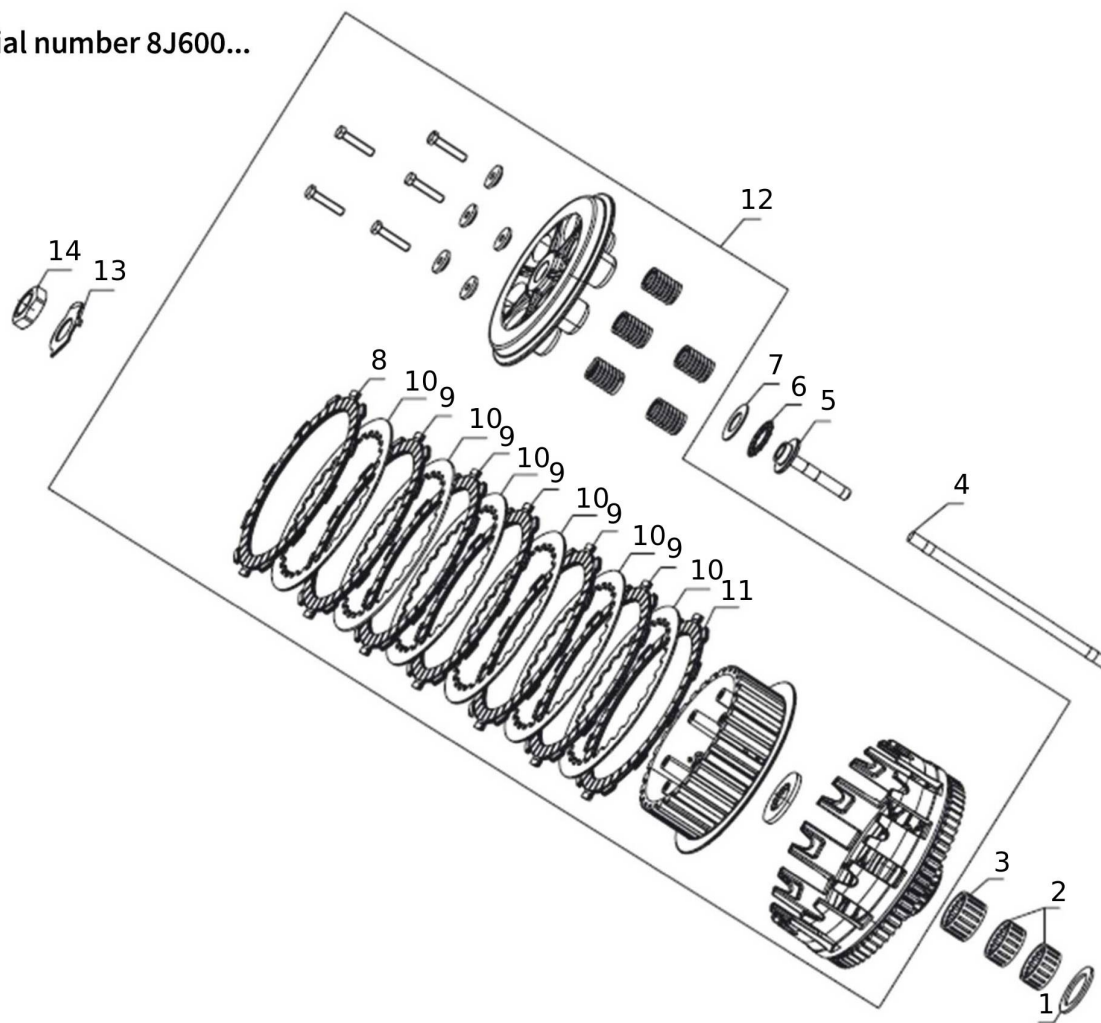


| #  | Code       | Beschreibung              | Spezifikation | ME | Anz. |
|----|------------|---------------------------|---------------|----|------|
| 1  | NC450-0048 | BOLT M6                   |               | pz | 5    |
| 2  | NC250-0070 | CAP SMALL VIEW HOLE       |               | pz | 1    |
| 3  | NC250-0069 | O-RING 13.2               |               | pz | 1    |
| 4  | NC450-0049 | RIGHT CRANKCASE EXT COVER |               | pz | 1    |
| 5  | NC250-0067 | OIL LEVEL SIGHT WINDOW    |               | pz | 1    |
| 6  | NC450-0050 | GASKET RH EXT COVER       |               | pz | 1    |
| 7  | NC250-0077 | BOLT M6                   |               | pz | 11   |
| 8  | NC450-0051 | GASKET R.CRANKCASE COVER  |               | pz | 1    |
| 9  | NC250-0074 | DOWEL PIN 9               |               | pz | 2    |
| 10 | NC450-0052 | WATER PUMP SHAFT          |               | pz | 1    |
| 11 | NC250-0084 | OIL SEAL 14               |               | pz | 1    |
| 12 | NC250-0085 | RETAINING RING D24        |               | pz | 1    |
| 13 | NC250-0075 | O-RING 18                 |               | pz | 1    |
| 14 | NC250-0076 | OIL PLUG ASSY             |               | pz | 1    |
| 15 | NC250-0083 | OIL SEAL 12               |               | pz | 1    |
| 16 | NC250-0081 | WATER PUMP GASKET         |               | pz | 1    |
| 17 | NC450-0053 | WATER PUMP ROTOR          |               | pz | 1    |
| 18 | NC450-0054 | WATER PUMP GASKET         |               | pz | 1    |
| 19 | NC450-0055 | DECKEL WASSERPUMPE        |               | pz | 1    |
| 20 | NC250-0012 | BOLT M6                   |               | pz | 2    |
| 21 | NC250-0007 | SCHEIBE 6.5X1.5X12        |               | pz | 1    |
| 22 | NC450-0056 | BOLT M6                   |               | pz | 2    |
| 23 | NC450-0057 | RIGHT CRANKCASE COVER     |               | pz | 1    |
| 24 | NC450-0058 | WATER PUMP INTAKE PIPE    |               | pz | 1    |
| 25 | NC450-0059 | O-RING 19                 |               | pz | 1    |
| 26 | NC450-0060 | WATER PIPE ELBOW FITTING  |               | pz | 1    |
| 27 | NC250-0024 | BOLT M6                   |               | pz | 2    |



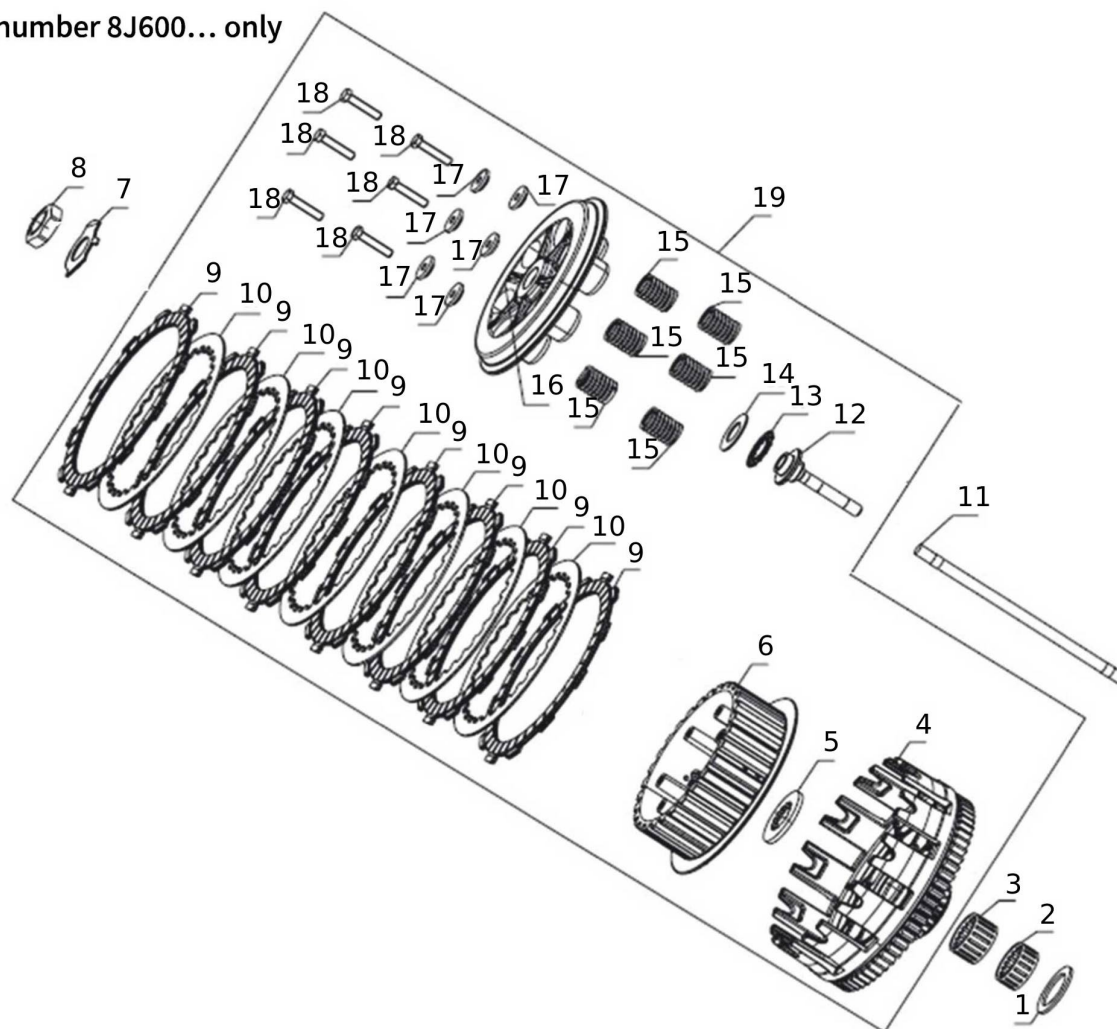
| #  | Code       | Beschreibung                | Spezifikation | ME | Anz. |
|----|------------|-----------------------------|---------------|----|------|
| 1  | NC250-0077 | BOLT M6                     |               | pz | 2    |
| 2  | NC250-0066 | BOLT M6                     |               | pz | 6    |
| 3  | NC250-0007 | SCHEIBE 6.5X1.5X12          |               | pz | 1    |
| 4  | NC250-0010 | CAP                         |               | pz | 1    |
| 5  | NC250-0009 | O-RING 11.8                 |               | pz | 1    |
| 6  | NC250-0094 | CAP BIG VIEW HOLE           |               | pz | 1    |
| 7  | NC450-0061 | O-RING 22.5                 |               | pz | 1    |
| 8  | NC450-0062 | LEFT CRANKCASE COVER        |               | pz | 1    |
| 9  | NC450-0063 | LEFT CRANKCASE GASKET       |               | pz | 1    |
| 10 | NC250-0074 | DOWEL PIN 9                 |               | pz | 2    |
| 11 | NC450-0064 | OIL SEAL 14                 |               | pz | 1    |
| 12 | 05064005   | BACK PART L.CRANKCASE COVER |               | pz | 1    |

Not for engines with serial number 8J600...

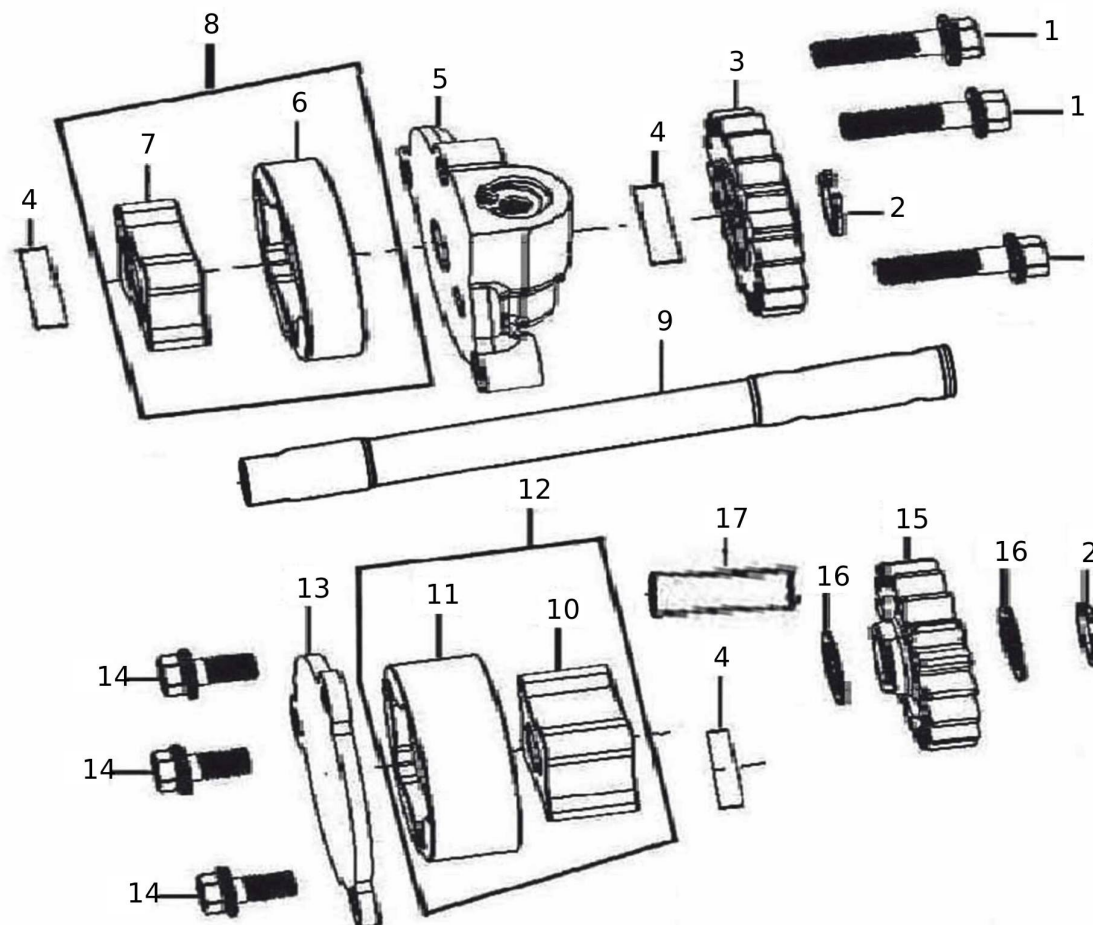


| #  | Code       | Beschreibung         | Spezifikation | ME | Anz. |
|----|------------|----------------------|---------------|----|------|
| 1  | NC450-0066 | WASHER 25            |               | pz | 1    |
| 2  | NC450-0067 | NEEDLE BEARING (K25  |               | pz | 2    |
| 3  | NC450-0068 | NEEDLE BEARING (K25  |               | pz | 1    |
| 4  | NC250-0113 | PUSHING ROD CLUTCH   |               | pz | 1    |
| 5  | NC450-0069 | DRUCKSTANGE KUPPLUNG |               | pz | 1    |
| 6  | NC250-0106 | LAGER (AXK1528)      |               | pz | 1    |
| 7  | NC250-0107 | SCHEIBE 15X1X28      |               | pz | 1    |
| 8  | NC450-0070 | KUPPLUNGSSCHEIBE     |               | pz | 1    |
| 9  | NC450-0071 | KUPPLUNGSSCHEIBE     |               | pz | 5    |
| 10 | NC450-0072 | DRIVEN FRICTION DISK |               | pz | 6    |
| 11 | NC450-0073 | KUPPLUNGSSCHEIBE     |               | pz | 1    |
| 12 | NC450-0074 | CLUTCH ASSY          |               | pz | 1    |
| 13 | NC450-0075 | STOP WASHER CLUTCH   |               | pz | 1    |
| 14 | NC250-0191 | NUT M18              |               | pz | 1    |

For engines with serial number 8J600... only

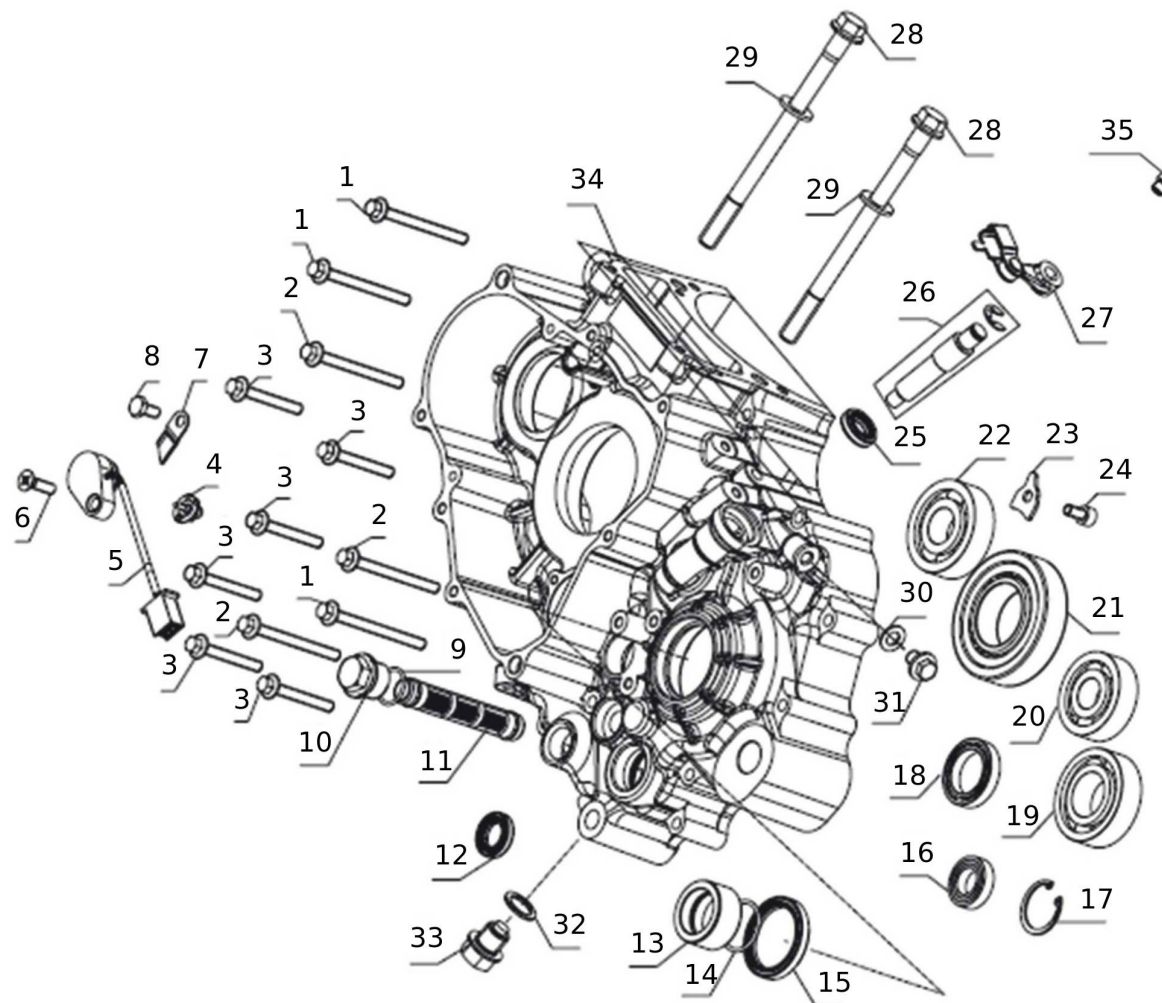


| #  | Code       | Beschreibung             | Spezifikation | ME | Anz. |
|----|------------|--------------------------|---------------|----|------|
| 1  | NC450-0066 | WASHER 25                |               | pz | 1    |
| 2  | NC250-0114 | NEEDLE BEARING (K25      |               | pz | 1    |
| 3  | NC450-0068 | NEEDLE BEARING (K25      |               | pz | 1    |
| 4  | NC450-0159 | OUT CASE ASSEMBLY CLUTCH |               | pz | 1    |
| 5  | NC450-0160 | TELLERSCHEIBE            |               | pz | 1    |
| 6  | NC450-0161 | CENTER SLEEVE CLUTCH     |               | pz | 1    |
| 7  | NC250-0190 | CRANKSHAFT STOP WASHER   |               | pz | 1    |
| 8  | NC250-0191 | NUT M18                  |               | pz | 1    |
| 9  | NC250-0101 | KUPPLUNGSSCHEIBE         |               | pz | 8    |
| 10 | NC450-0162 | DRIVEN FRICTION DISK     |               | pz | 7    |
| 11 | NC250-0113 | PUSHING ROD CLUTCH       |               | pz | 1    |
| 12 | NC450-0163 | DRUCKSTANGE KUPPLUNG     |               | pz | 6    |
| 13 | NC250-0106 | LAGER (AXK1528)          |               | pz | 1    |
| 14 | NC250-0107 | SCHEIBE 15X1X28          |               | pz | 1    |
| 15 | NC250-0108 | KUPPLUNGSFEDER           |               | pz | 6    |
| 16 | NC250-0109 | PRESSURE PLATE CLUTCH    |               | pz | 1    |
| 17 | NC250-0110 | CLUTCH SPRING SEAT       |               | pz | 6    |
| 18 | NC250-0111 | BOLT M5                  |               | pz | 6    |
| 19 | NC450-0164 | CLUTCH ASSY              |               | pz | 1    |

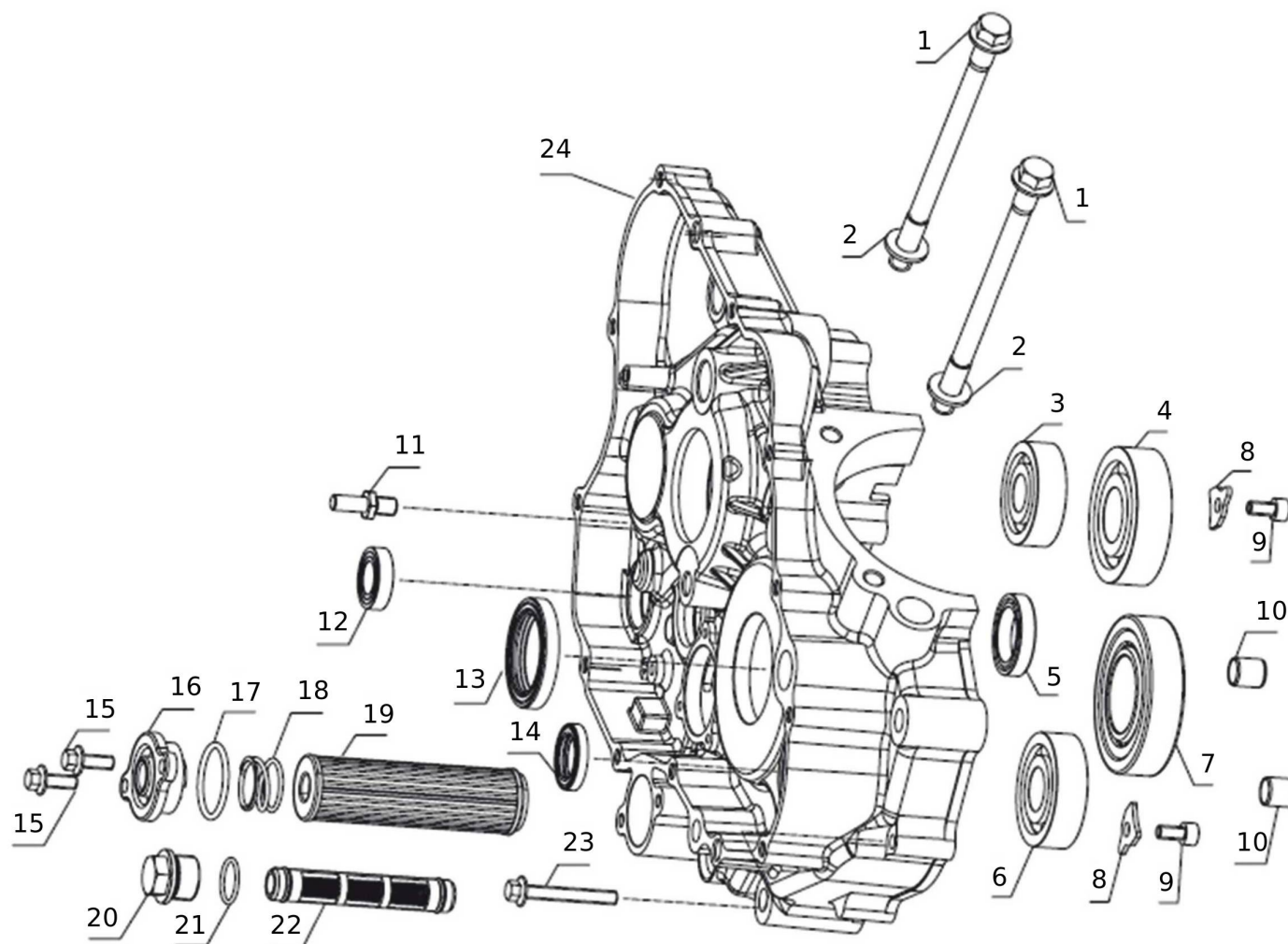




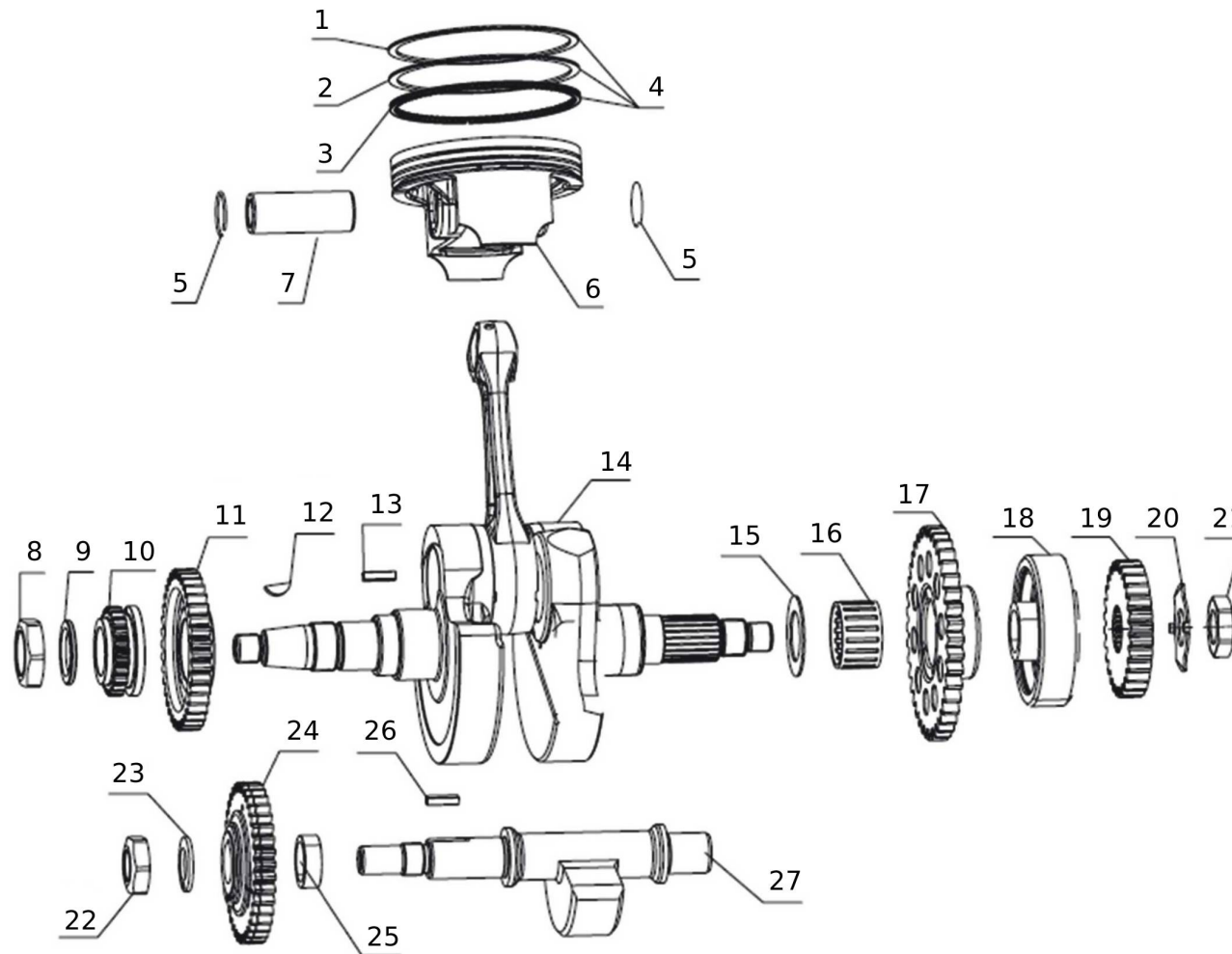
| #  | Code       | Beschreibung         | Spezifikation | ME | Anz. |
|----|------------|----------------------|---------------|----|------|
| 1  | NC250-0115 | BOLT M5              |               | pz | 3    |
| 2  | NC250-0116 | RETAINING RING D10   |               | pz | 2    |
| 3  | NC450-0076 | ZAHNRAD OELPUMPE     |               | pz | 1    |
| 4  | NC250-0118 | PIN D4               |               | pz | 3    |
| 5  | NC250-0119 | DECKEL OELPUMPE      |               | pz | 1    |
| 6  | NC250-0120 | OUTER ROTOR OIL PUMP |               | pz | 1    |
| 7  | NC250-0121 | INNER ROTOR OIL PUMP |               | pz | 1    |
| 8  | NC250-0122 | OIL PUMP ROTOR       |               | pz | 1    |
| 9  | NC250-0123 | OIL PUMP SHAFT       |               | pz | 1    |
| 10 | NC250-0124 | INNER ROTOR OIL PUMP |               | pz | 1    |
| 11 | NC250-0125 | OUTER ROTOR OIL PUMP |               | pz | 1    |
| 12 | NC250-0126 | OIL PUMP ROTOR       |               | pz | 1    |
| 13 | NC250-0127 | DECKEL OELPUMPE      |               | pz | 1    |
| 14 | NC250-0128 | BOLT M5              |               | pz | 3    |
| 15 | NC450-0077 | ZAHNRAD OELPUMPE     |               | pz | 1    |
| 16 | NC250-0130 | SCHEIBE 10.2X0.5X15  |               | pz | 2    |
| 17 | NC250-0131 | OIL PUMP SHAFT       |               | pz | 1    |



| #  | Code       | Beschreibung            | Spezifikation | ME | Anz. |
|----|------------|-------------------------|---------------|----|------|
| 1  | NC450-0078 | BOLT M6                 |               | pz | 3    |
| 2  | NC250-0132 | BOLT M6                 |               | pz | 3    |
| 3  | NC450-0079 | BOLT M6                 |               | pz | 6    |
| 4  | NC250-0234 | CONTACT GEAR INDICATION |               | pz | 1    |
| 5  | NC450-0080 | GEARSHIFT SWITCH        |               | pz | 1    |
| 6  | NC450-0081 | SCREW M6                |               | pz | 1    |
| 7  | NC450-0082 | POSITION PLATE          |               | pz | 1    |
| 8  | NC450-0083 | BOLT M6                 |               | pz | 1    |
| 9  | NC250-0138 | O-RING 17.5             |               | pz | 1    |
| 10 | NC250-0137 | STOPFEN OELFILTER       |               | pz | 1    |
| 11 | NC250-0139 | STRAINER OIL FILTER     |               | pz | 1    |
| 12 | NC250-0140 | OIL SEAL 15             |               | pz | 1    |
| 13 | NC450-0084 | BUCHSE                  |               | pz | 1    |
| 14 | NC450-0085 | O-RING 25               |               | pz | 1    |
| 15 | NC450-0086 | OIL SEAL 35             |               | pz | 1    |
| 16 | NC250-0145 | LAGER (61902)           |               | pz | 1    |
| 17 | NC250-0144 | RETAINING RING D28      |               | pz | 1    |
| 18 | NC250-0146 | BEARING(61805)          |               | pz | 1    |
| 19 | NC450-0087 | BEARING (NJ205)         |               | pz | 1    |
| 20 | NC450-0092 | BEARING (6303RS_C3)     |               | pz | 1    |
| 21 | NC450-0094 | BEARING (NJ207EM_C3)    |               | pz | 1    |
| 22 | NC250-0162 | BEARING (6304)          |               | pz | 1    |
| 23 | NC250-0160 | BAFFLE                  |               | pz | 1    |
| 24 | NC450-0095 | BOLT M6                 |               | pz | 1    |
| 25 | NC250-0152 | OIL SEAL 14             |               | pz | 1    |
| 26 | NC450-0088 | CLUTCH SEPARATING ROD   |               | pz | 1    |
| 27 | NC250-0151 | CLUTCH ROCKER ARM       |               | pz | 1    |
| 28 | NC450-0091 | CYLINDER STUD BOLT A    |               | pz | 2    |
| 29 | NC250-0153 | SCHEIBE 10.5X2X20       |               | pz | 2    |
| 30 | NC250-0158 | SCHEIBE 8.5X12X15       |               | pz | 1    |
| 31 | NC450-0089 | BOLT M8                 |               | pz | 1    |
| 32 | NC250-0142 | WASHER 16.5             |               | pz | 1    |
| 33 | NC250-0141 | OIL DRAIN BOLT          |               | pz | 1    |
| 34 | NC450-0090 | GEHAEUSE LONKS          |               | pz | 1    |
| 35 | NC250-0157 | OIL NOZZLE              |               | pz | 1    |

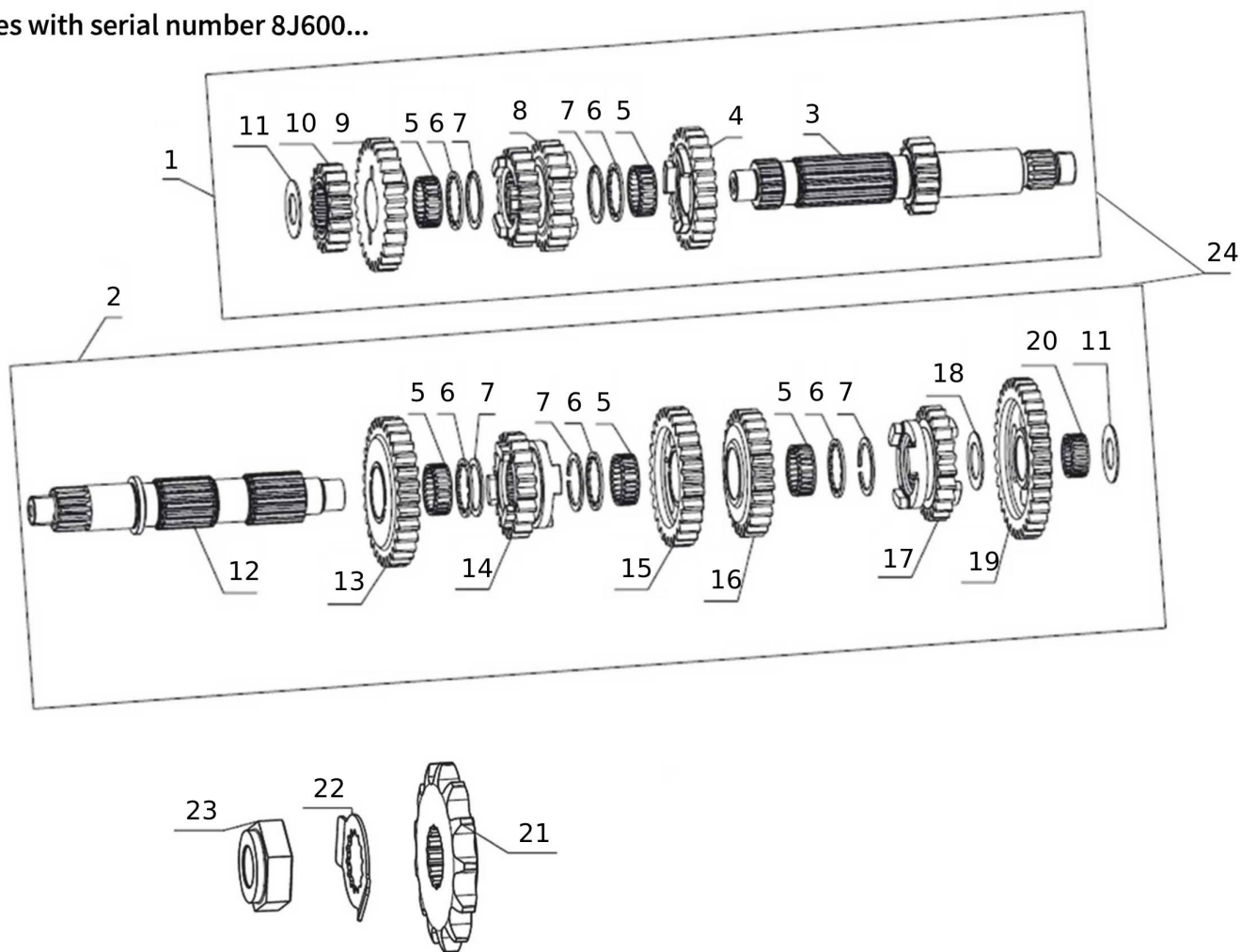


| #  | Code       | Beschreibung              | Spezifikation | ME | Anz. |
|----|------------|---------------------------|---------------|----|------|
| 1  | NC450-0091 | CYLINDER STUD BOLT A      |               | pz | 2    |
| 2  | NC250-0153 | SCHEIBE 10.5X2X20         |               | pz | 2    |
| 3  | NC450-0092 | BEARING (6303RS_C3)       |               | pz | 1    |
| 4  | NC450-0093 | BEARING (6305_P5)         |               | pz | 1    |
| 5  | NC250-0146 | BEARING(61805)            |               | pz | 1    |
| 6  | NC250-0162 | BEARING (6304)            |               | pz | 1    |
| 7  | NC450-0094 | BEARING (NJ207EM_C3)      |               | pz | 1    |
| 8  | NC250-0160 | BAFFLE                    |               | pz | 2    |
| 9  | NC450-0095 | BOLT M6                   |               | pz | 2    |
| 10 | NC250-0030 | DOWEL PIN 13              |               | pz | 2    |
| 11 | NC250-0165 | BOLT RETURN SPRING FIXING |               | pz | 1    |
| 12 | NC250-0145 | LAGER (61902)             |               | pz | 1    |
| 13 | NC450-0096 | OIL SEAL 35               |               | pz | 1    |
| 14 | NC450-0097 | SIMMERRING 20X35X5        |               | pz | 1    |
| 15 | NC250-0024 | BOLT M6                   |               | pz | 2    |
| 16 | NC250-0168 | CAP OIL FINE FILTER       |               | pz | 1    |
| 17 | NC250-0167 | O-RING 30                 |               | pz | 1    |
| 18 | NC250-0161 | SPRING OIL FINE FILTER    |               | pz | 1    |
| 19 | NC250-0166 | OIL FINE FILTER           |               | pz | 1    |
| 20 | NC250-0137 | STOPFEN OELFILTER         |               | pz | 1    |
| 21 | NC250-0138 | O-RING 17.5               |               | pz | 1    |
| 22 | NC250-0139 | STRAINER OIL FILTER       |               | pz | 1    |
| 23 | NC450-0098 | BOLT M6                   |               | pz | 1    |
| 24 | NC450-0099 | GEHAEUSE RECHTS           |               | pz | 1    |



| #  | Code       | Beschreibung                   | Spezifikation | ME | Anz. |
|----|------------|--------------------------------|---------------|----|------|
| 1  | NC450-0100 | PISTON RING 1                  |               | pz | 1    |
| 2  | NC450-0101 | PISTON RING 2                  |               | pz | 1    |
| 3  | NC450-0102 | PISTON OIL RING                |               | pz | 1    |
| 4  | NC450-0103 | PISTON RING COMP               |               | pz | 1    |
| 5  | NC450-0104 | CHECK RING PISTON PIN          |               | pz | 2    |
| 6  | NC450-0105 | PISTON                         |               | pz | 1    |
| 7  | NC450-0106 | PIN PISTON                     |               | pz | 1    |
| 8  | NC250-0179 | MUTTER M24                     |               | pz | 1    |
| 9  | NC250-0180 | SCHEIBE 24.2X2.5X32            |               | pz | 1    |
| 10 | NC450-0107 | RITZEL STEUERKETTE             |               | pz | 1    |
| 11 | NC450-0108 | BALANCE SHAFT DRIVING GEAR     |               | pz | 1    |
| 12 | NC250-0183 | SEMICIRCULAR KEY               |               | pz | 1    |
| 13 | NC250-0184 | TABULATE KEY                   |               | pz | 1    |
| 14 | NC450-0109 | CRANKSHAFT CONNECTING-ROD ASSY |               | pz | 1    |
| 15 | NC450-0110 | WASHER 25                      |               | pz | 1    |
| 16 | NC250-0197 | NEEDLE BEARING (K29            |               | pz | 1    |
| 17 | NC450-0111 | PLATE GEAR ASSY                |               | pz | 1    |
| 18 | NC450-0112 | OVERRUNNING CLUTCH             |               | pz | 1    |
| 19 | NC450-0113 | PRIMARY DRIVE GEAR             |               | pz | 1    |
| 20 | NC250-0190 | CRANKSHAFT STOP WASHER         |               | pz | 1    |
| 21 | NC250-0191 | NUT M18                        |               | pz | 1    |
| 22 | NC250-0104 | LOCK NUT CLUTCH                |               | pz | 1    |
| 23 | NC250-0192 | BALANCE SHAFT DISH WASHER      |               | pz | 1    |
| 24 | NC450-0114 | BALANCE SHAFT DRIVEN GEAR      |               | pz | 1    |
| 25 | NC450-0115 | ZAHNRAD                        |               | pz | 1    |
| 27 | NC450-0116 | COUNTERSHAFT                   |               | pz | 1    |

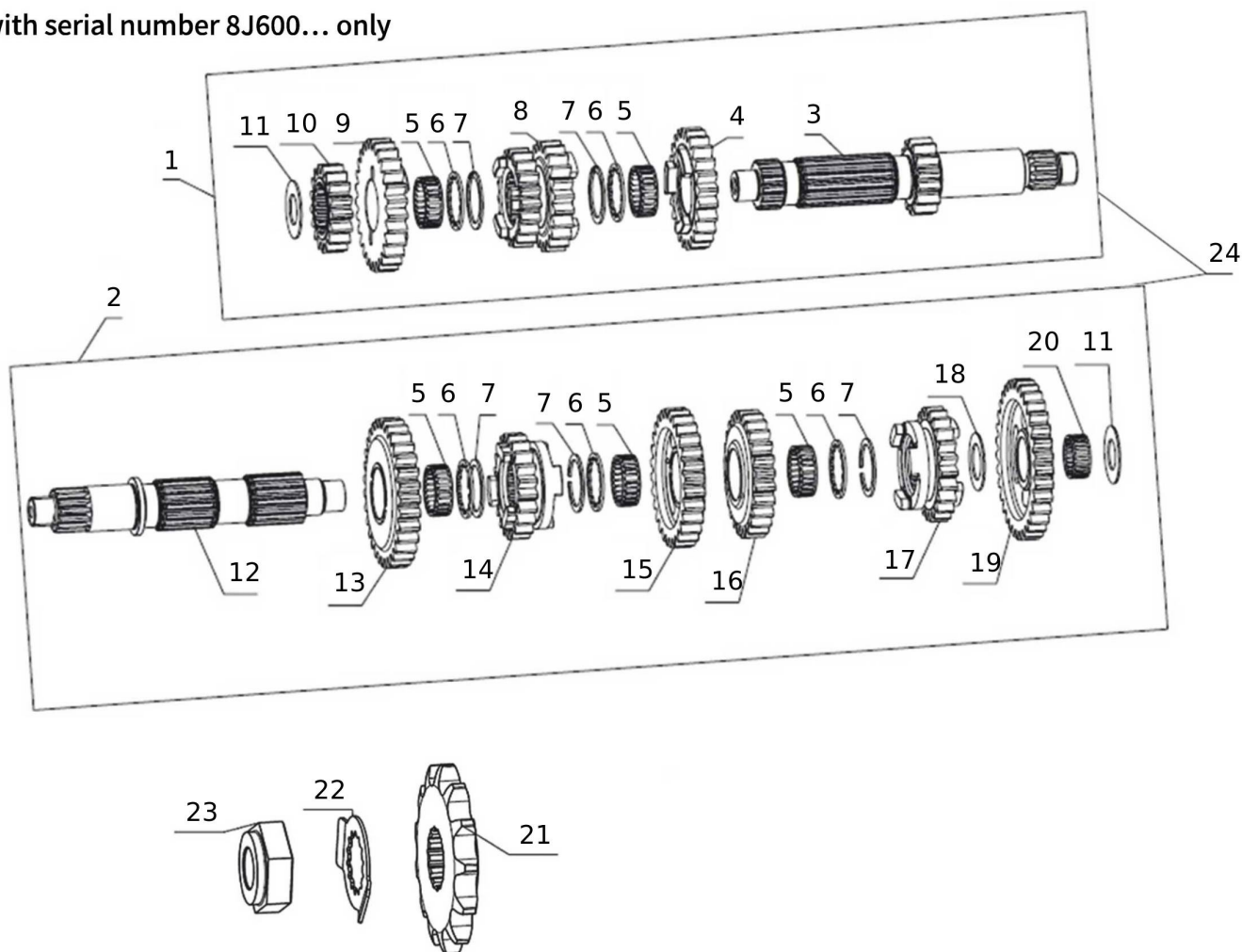
Not for engines with serial number 8J600...



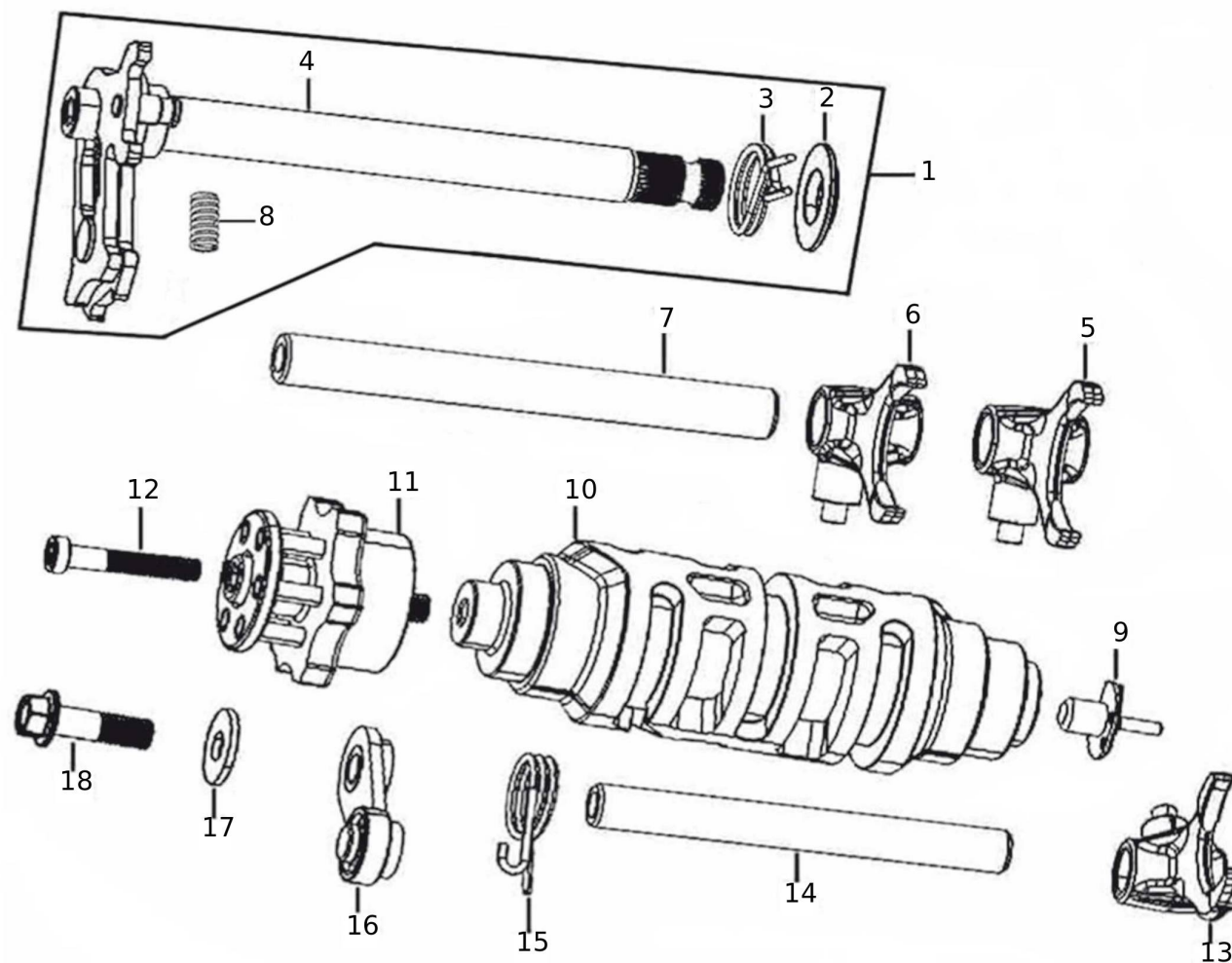


| #  | Code       | Beschreibung                  | Spezifikation | ME | Anz. |
|----|------------|-------------------------------|---------------|----|------|
| 1  | NC450-0117 | MAIN SHAFT TRANSMISSION ASSY  |               | pz | 1    |
| 2  | NC450-0118 | COUTERSHAFT TRANSMISSION ASSY |               | pz | 1    |
| 3  | NC450-0119 | MAIN SHAFT TRANSMISSION       |               | pz | 1    |
| 4  | NC450-0120 | GEAR M-5                      |               | pz | 1    |
| 5  | NC450-0121 | NEEDLE BEARING (KS24          |               | pz | 5    |
| 6  | NC450-0122 | TELLERSCHEIBE                 |               | pz | 5    |
| 7  | NC450-0123 | TELLERSCHEIBE                 |               | pz | 5    |
| 8  | NC450-0124 | GEAR M-3, M-4                 |               | pz | 1    |
| 9  | NC450-0125 | GEAR M-6                      |               | pz | 1    |
| 10 | NC450-0126 | GEAR M-2                      |               | pz | 1    |
| 11 | NC450-0127 | WASHER 17.1                   |               | pz | 2    |
| 12 | NC450-0128 | GETRIEBEWELLE                 |               | pz | 2    |
| 13 | NC450-0129 | GEAR C-2                      |               | pz | 1    |
| 14 | NC450-0130 | GEAR C-6                      |               | pz | 1    |
| 15 | NC450-0131 | GEAR C-3                      |               | pz | 1    |
| 16 | NC450-0132 | GEAR C-4                      |               | pz | 1    |
| 17 | NC450-0133 | GEAR C-5                      |               | pz | 1    |
| 18 | NC450-0134 | WASHER 20.1                   |               | pz | 1    |
| 19 | NC450-0135 | GEAR C-1                      |               | pz | 1    |
| 20 | NC250-0207 | NEEDLE BEARING (K20           |               | pz | 1    |
| 21 | 05131005   | PIGNONE SILENZIOSO NC450 Z=13 |               | pz | 1    |
| 22 | NC450-0136 | SPROCKET STOP WASHER          |               | pz | 1    |
| 23 | NC250-0210 | SPROCKET NUT                  |               | pz | 1    |
| 24 | NC450-0137 | TRANSMISSION COMPLETE KIT     |               | pz | 1    |

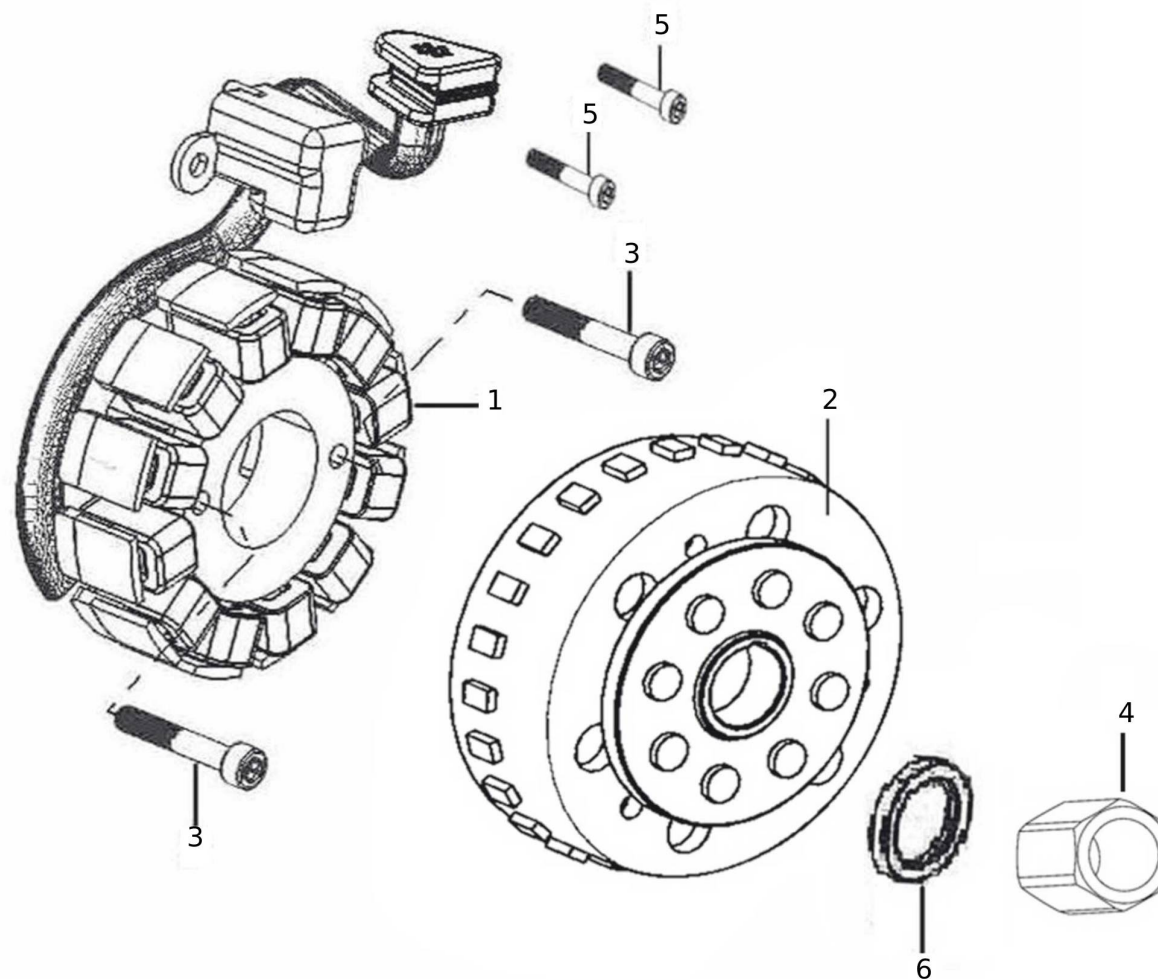
For engines with serial number 8J600... only



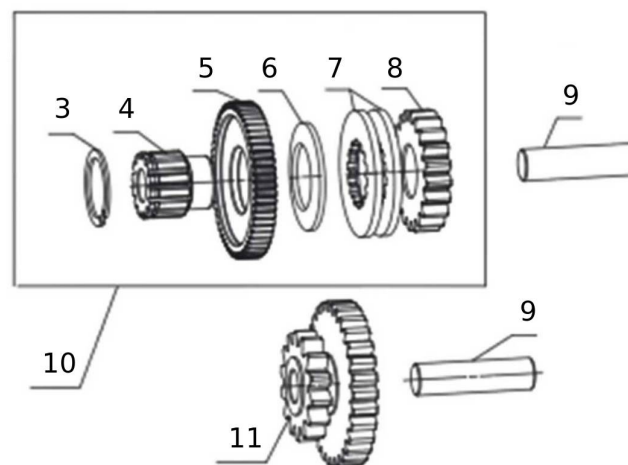
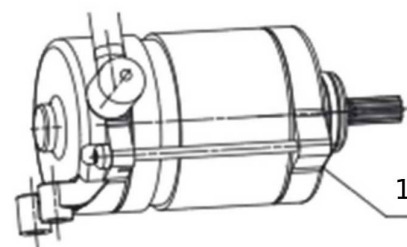
| #  | Code       | Beschreibung                  | Spezifikation | ME | Anz. |
|----|------------|-------------------------------|---------------|----|------|
| 1  | NC450-0165 | MAIN SHAFT TRANSMISSION ASSY  |               | pz | 1    |
| 2  | NC450-0118 | COUTERSHAFT TRANSMISSION ASSY |               | pz | 1    |
| 3  | NC450-0166 | MAIN SHAFT TRANSMISSION       |               | pz | 1    |
| 4  | NC450-0120 | GEAR M-5                      |               | pz | 1    |
| 5  | NC450-0121 | NEEDLE BEARING (KS24          |               | pz | 5    |
| 6  | NC450-0122 | TELLERSCHEIBE                 |               | pz | 5    |
| 7  | NC450-0123 | TELLERSCHEIBE                 |               | pz | 5    |
| 8  | NC450-0124 | GEAR M-3, M-4                 |               | pz | 1    |
| 9  | NC450-0125 | GEAR M-6                      |               | pz | 1    |
| 10 | NC450-0126 | GEAR M-2                      |               | pz | 1    |
| 11 | NC450-0127 | WASHER 17.1                   |               | pz | 2    |
| 12 | NC450-0128 | GETRIEBEWELLE                 |               | pz | 2    |
| 13 | NC450-0129 | GEAR C-2                      |               | pz | 1    |
| 14 | NC450-0130 | GEAR C-6                      |               | pz | 1    |
| 15 | NC450-0131 | GEAR C-3                      |               | pz | 1    |
| 16 | NC450-0132 | GEAR C-4                      |               | pz | 1    |
| 17 | NC450-0133 | GEAR C-5                      |               | pz | 1    |
| 18 | NC450-0134 | WASHER 20.1                   |               | pz | 1    |
| 19 | NC450-0135 | GEAR C-1                      |               | pz | 1    |
| 20 | NC250-0207 | NEEDLE BEARING (K20           |               | pz | 1    |
| 21 | 05131005   | PIGNONE SILENZIOSO NC450 Z=13 |               | pz | 1    |
| 22 | NC450-0136 | SPROCKET STOP WASHER          |               | pz | 1    |
| 23 | NC250-0210 | SPROCKET NUT                  |               | pz | 1    |
| 24 | NC450-0167 | TRANSMISSION COMPLETE KIT     |               | pz | 1    |



| #  | Code       | Beschreibung              | Spezifikation | ME | Anz. |
|----|------------|---------------------------|---------------|----|------|
| 1  | NC250-0226 | GEARSHIFT SHAFT COMP      |               | pz | 1    |
| 2  | NC250-0227 | AXLE SLEEVE               |               | pz | 1    |
| 3  | NC250-0228 | RETURN SPRING GEARBOX     |               | pz | 1    |
| 4  | NC250-0229 | GEARSHIFT SHAFT           |               | pz | 1    |
| 5  | NC450-0138 | LEFT FORK                 |               | pz | 1    |
| 6  | NC450-0139 | RIGHT FORK                |               | pz | 1    |
| 7  | NC450-0140 | WELLE SCHALTGABEL         |               | pz | 1    |
| 8  | NC250-0233 | SPRING GEARSHIFT SELECTOR |               | pz | 1    |
| 9  | NC250-0234 | CONTACT GEAR INDICATION   |               | pz | 1    |
| 10 | NC450-0141 | GEARSHIFT DRUM COMP       |               | pz | 1    |
| 11 | NC250-0236 | STOPPING PLATE            |               | pz | 1    |
| 12 | NC250-0077 | BOLT M6                   |               | pz | 1    |
| 13 | NC450-0142 | GUIDE PIN CENTER FORK     |               | pz | 1    |
| 14 | NC250-0239 | GUIDE PIN CENTER FORK     |               | pz | 1    |
| 15 | NC250-0240 | SPRING LOCATING PLATE     |               | pz | 1    |
| 16 | NC250-0241 | LOCATING PLATE            |               | pz | 1    |
| 17 | NC250-0057 | SCHEIBE 6.5X1.5X12        |               | pz | 1    |
| 18 | NC250-0032 | BOLT M6                   |               | pz | 1    |



| # | Code       | Beschreibung        | Spezifikation | ME | Anz. |
|---|------------|---------------------|---------------|----|------|
| 1 | NC450-0143 | STATOR ASSY MAGNETO |               | pz | 1    |
| 2 | NC250-0243 | ROTOR ASSY MAGNETO  |               | pz | 1    |
| 3 | NC250-0244 | BOLT M5             |               | pz | 2    |
| 4 | NC250-0245 | NUT M14             |               | pz | 1    |
| 5 | NC250-0246 | BOLT M5             |               | pz | 2    |
| 6 | NC250-0247 | SCHEIBE 15.2X0.5X23 |               | pz | 1    |





| #  | Code       | Beschreibung            | Spezifikation | ME | Anz. |
|----|------------|-------------------------|---------------|----|------|
| 1  | NC450-0144 | STARTING MOTOR ASSY     |               | pz | 1    |
| 2  | NC250-0012 | BOLT M6                 |               | pz | 2    |
| 3  | NC250-0203 | CIRCLIP                 |               | pz | 1    |
| 4  | NC450-0145 | REDUCTION SHAFT SLEEVE  |               | pz | 1    |
| 5  | NC450-0146 | TWIN GEAR SET           |               | pz | 1    |
| 6  | NC250-0250 | DISH WASHER 25.5        |               | pz | 1    |
| 7  | NC250-0251 | KINETIC FRICTION SLICES |               | pz | 2    |
| 8  | NC450-0147 | REDUCTION SHAFT SLEEVE  |               | pz | 1    |
| 9  | NC450-0148 | SHAFT REDUCTION         |               | pz | 2    |
| 10 | NC450-0149 | GEAR REDUCTION ASSY     |               | pz | 1    |
| 11 | NC450-0150 | GEAR REDUCTION 2        |               | pz | 1    |